



9. LOUPES

Magnifying Loupe ASCO

for Watchmaker

TYPE H

Black unbreakable frame, interior matt. Duralumin ring screwed in. Blushed 25 mm diameter lens, best optic.

Ref.	Value	Magnification	Price
00160	1	10 x	15.20
00161	1 1/2	6.5 x	15.20
00162	2	5 x	15.20
00163	2 1/2	4 x	15.20
00164	3	3.5 x	15.20
00165	3 1/2	3 x	15.20
00166	4	2.5 x	15.20



TYPE H2 APLANATIC

Black unbreakable frame, interior matt. Duralumin ring screwed in. Double 25 mm diameter aplanatic convex lens, best optic.

Ref.	Magnification	Price
00174	10 x	28.00
00175	14 x	39.00



TYPE C2 APLANATIC

Black unbreakable frame, interior matt. Duralumin ring. Double blushed 14 mm diameter aplanatic convex lens. Monoblock lens.

Ref.	Magnification	Price
00177	10 x	140.00
00178	12 x	140.00
00179	16 x	140.00
00180	20 x	140.00



TYPE C3 ACHROMATIC

Black unbreakable frame, interior matt. Duralumin ring. Monoblock lens. Corrected system with 3 very luminous blushed lens, with large depth of field.

Ref.	Ø Lens	Magnification	Price
00181	14	10 x	234.00
00182	14	12 x	234.00
00183	14	16 x	234.00
00184	14	20 x	234.00
00185	12	25 x	264.00



Conditions of sale: Discount 10 % for 10 identical pieces.
September 2023



Schurch Asco SA

ASCO

Partenaire et Savoir-faire

AV. DU 1ER MARS 33, CP 3052
CH-2001 NEUCHÂTEL
SWITZERLAND

PHONE : +41 32 724 3434

FAX : +41 32 724 3436

EMAIL : INFO@SCHURCH-ASCO.COM

WEB : WWW.SCHURCH-ASCO.COM

Magnifying Loupe ASCO

for Watchmaker

TYPE ALUMINIUM



25 mm diameter biconvex bluish lens.

Frame: blue coated steel

Ring: coated steel



Ref.	Value	Magnifying	Color	Price
00468	1	10 x	Green	32.50

Ref.	Value	Magnifying	Color	Price
00469	1 1/2	6.5 x	Blue	32.50

Ref.	Value	Magnifying	Color	Price
00470	2	5 x	Yellow	32.50

Ref.	Value	Magnifying	Color	Price
00471	2 1/2	4 x	Copper	32.50

Ref.	Value	Magnifying	Color	Price
00472	3	3.5 x	Purple	32.50

Ref.	Value	Magnifying	Color	Price
00473	3 1/2	3 x	Black	32.50

Ref.	Value	Magnifying	Color	Price
00474	4	2.5 x	Alu	32.50

Conditions of sale: Discount 10 % for 10 identical pieces.

210 Magnifying Glasses

June 2020



Horology magnifying Loupe ASCO

TYPE 1806 A 30

Large field of vision, 30 mm diameter lens, black unbreakable frame, ventilation hole.

Ref.	Value	Magnification	Price
00193	1	10 x	22.90
00190	1 1/2	7 x	19.90
00191	2	5 x	17.30
00192	2 1/2	4 x	16.60



Conditions de vente : Remise de 10 % pour 10 pièces identiques.

Measuring magnifying Loupe

TYPE F+C

Inclined magnifying glass with achromatic system of three corrected lenses. 15 mm scale divided in 0,1 mm. Delivered in a case.

Ref.	Designation	Spécification	Price
00241	loupe Ø 22	Magnification 8 x	197.00
00248	reticule	spare	86.00



Conditions of sale: Net prices.

Centering magnifying Loupe ASCO

SWISS MADE ALUMINIUM

Lens 14 mm diameter. Frame of black coated steel. Ring in coated ring (colour depends on the magnification).

Ref.	Colour	Magnification	Price
00964	Yellow	5 x	105.00
00965	Blue	6 x	105.00
00966	Steel	8 x	105.00
00967	Green	10 x	105.00



Conditions of sale: Discount 10 % for 10 identical pieces.

Magnifying Loupe-holder

TYPE 5461

Made of a stainless steel wire, fits to every magnifying glass.

Ref.	Designation	Price
00247	Magnifying glass-holder	3.95



Conditions of sale: Net prices.

September 2023

Magnifying Glasses 211



Schurch Asco SA

ASCO

Partenaire et Savoir-faire

AV. DU 1ER MARS 33, CP 3052
CH-2001 NEUCHÂTEL
SWITZERLAND

PHONE : +41 32 724 3434
FAX : +41 32 724 3436
EMAIL : INFO@SCHURCH-ASCO.COM
WEB : WWW.SCHURCH-ASCO.COM



Magnifying Loupe ASCO for Engraver ø 40mm

TYPE ALUMINIUM

Aluminum magnifying glass for engraver, biconvex lens, blue mineral glass, Ø 38 mm + colored aluminum ring.

Ref.	Diameter	Value	Magnification	Color	Price
00171	40 mm	2	5 x	Yellow	69.00
00172	40 mm	2 1/2	4 x	Bronze	69.00

Conditions of sale: Discount 10 % for 10 identical pieces.

Microscope Pen

Microscope pen with case.



Conditions of sale: Net prices.

Ref.	Magnification	Price
17377	50 x	71.30
17378	Without battery 60 - 100 x LED	14.50
17379	Without battery 100 x	14.50
17374	Without battery 200 - 240 x LED	33.00

Clip magnifying Loupe

Clip magnifying glass for spectacles wearers. It can be easily adapted to any frame type.

The set includes magnifying glasses 1.75 x, 2.35 x, 2.75 x, interchangeable. The separated magnifying Loupe are delivered with the fixation clip.



Conditions of sale:
Discount 10 % for 10 pieces.

Ref.	Magnification	Working distance	Price
17384	Full set 2.00 x / 2.50 x / 3.00 x		100.40
17385	1.75 x 3D	250	77.00
17386	2.35 x 5.5D	180	77.00
17387	2.75 x 7D	125	77.00

Clip-Loupe ASCO

ALWAYS READY

Blouse, shirt or pants fit in a jiffy and never leave you.

Simple and inexpensive, plastic oil and aggressive agents resistant.

Designed to ASCO loupe plastic and ALU.



Réf.	Packing	Price
00240	1 Clip-Loupe in its transparent Case	17.90

Conditions of sale: Net prices.



Wooden magnifying Loupe

ASCO

PEAR TREE WOOD

Bluished 25 mm diameter lens.

Ref.	Value	Magnifying	Price
00198	2½	4 x	47.00



Conditions of sale: Net prices.

Removable magnifying Loupe ARY

This type of lens can be assembled on any type of Loupe without scratching or unbalancing them. Their construction is very meticulous and their overall dimension is reduced. They can be adjusted, are tough and extra-light.

MINI, standard and MAXI types fit respectively to the frames carrying Loupe until 35 mm diameters, until 40 mm, and larger..



Value	Magnification	Magnification width additional
1	10.0 x	18.0 x
1½	6.5 x	14.5 x
2	5.0 x	13.0 x
2½	4.0 x	12.0 x
3	3.5 x	11.5 x
3½	3.0 x	11.0 x
4	2.5 x	10.5 x

Ref.	Value	Type	Price	Ref.	Value	Type	Price	Ref.	Value	Type	Price
16120	1	mini right	54.75	00200	1	right	54.75	00214	1	maxi right	54.55
16121	1½	mini right	47.95	00201	1½	right	47.95	00215	1½	maxi right	47.75
16122	2	mini right	47.95	00202	2	right	47.95	00216	2	maxi right	47.75
16123	2½	mini right	47.95	00203	2½	right	47.95	00217	2½	maxi right	47.75
16124	3	mini right	47.95	00204	3	right	47.95	00218	3	maxi right	47.75
16125	3½	mini right	47.95	00205	3½	right	47.95	00219	3½	maxi right	47.75
16126	4	mini right	47.95	00206	4	right	47.95	00220	4	maxi right	47.75
16127	1	mini left	54.75	00207	1	left	54.75	00221	1	maxi left	54.55
16128	1½	mini left	47.95	00208	1½	left	47.95	00222	1½	maxi left	47.75
16129	2	mini left	47.95	00209	2	left	47.95	00223	2	maxi left	47.75
16130	2½	mini left	47.95	00210	2½	left	47.95	00224	2½	maxi left	47.75
16131	3	mini left	47.95	00211	3	left	47.95	00225	3	maxi left	47.75
16132	3½	mini left	47.95	00212	3½	left	47.95	00226	3½	maxi left	47.75
16133	4	mini left	47.95	00213	4	left	47.95	00227	4	maxi left	47.75

Conditions of sale: Discount 10 % for 10 identical pieces.

Additional magnifying Loupe ARY



Ref.	Designation	Magnification	Price
16134	Additional magnifier	8x	8.80

Conditions of sale: Discount 10 % for 10 identical pieces.



Schurch Asco SA

ASCO

Partenaire et Savoir-faire

AV. DU 1ER MARS 33, CP 3052
CH-2001 NEUCHÂTEL
SWITZERLAND

PHONE : +41 32 724 3434
FAX : +41 32 724 3436
EMAIL : INFO@SCHURCH-ASCO.COM
WEB : WWW.SCHURCH-ASCO.COM

Headband magnifying Loupe

ZEISS

TYPE D6



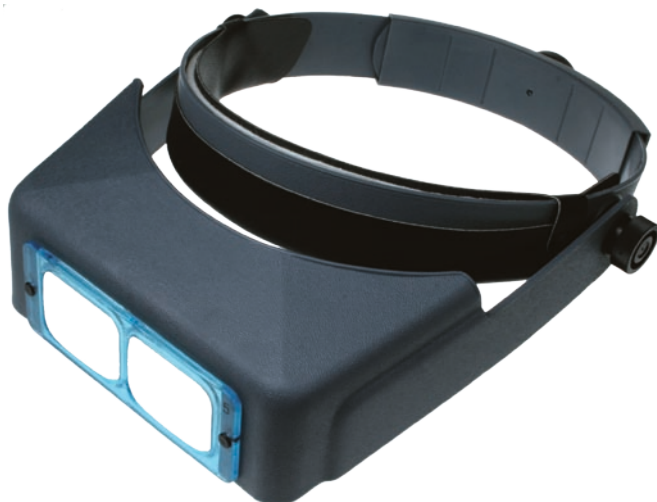
Optical diameter: 40 x 30 mm
Free working distance: 200 mm
Field of vision: 72 x 75 mm
Dimensions: l x h x L = 195 x 60 x 210
Weight ~110 g

Ref.	Magnification	Diopter	Price
00246	1.4 x D6	6	144.00
00249	2 x D4	4	144.00

Conditions of sale: Net prices.

Headband magnifying Loupe

OPTIVISOR



High quality binocular with mobile visor with rounded edges, pull-down visor, adjustable headband with a button and a comfortable frontal part with leather lined with felt.

Can be worn over Loupe.
Weight ~240 g.

Ref.	Magnification	Lens	Price
16030	1.5 x D2	50	72.00
16031	1.75 x D3	35	72.00
16032	2 x D4	25	72.00
16033	2.5 x D5	20	94.70
16034	2.75 x D7	15	79.00
16035	3.5 x D10	10	79.00

Conditions of sale: Net prices.

Pocket magnifying Loupe 10 x

Achromatic triplet lenses diameter 18 mm 10 X. No coating for true colors. Resolution 67 lines / mm.



Ref.	Magnification	Diameter	Price
16037	10 x	18 mm	69.00

Pocket magnifying Loupe 15 x

Achromatic magnifying glass 16 mm diameter protected by an integrated nickel steel case N° 1618.



Ref.	Magnification	Diameter	Price
16036	15 x	16 mm	57.00

Conditions of sale: Discount 10 % for 10 pieces.



Electronic loupe

XL2

Autonomous portable microscope and his stand with adjustable height, ideal for quality control in factory or field, for research in laboratories or outside. With its own screen 2.8 inches with 200x magnification, allows video recording to a PC via a USB port and a cable which is included. The software measures the length, perimeter, circumference, radius, angle and the objects seen area. also allows image manipulation, color enhancement and addition of text.

Ref.	Designation	Price
17531	Electronic loupe XL2	506.00

Color display TFT 2,8h 320 x 240 pixels

CMOS Sensor 2M pixels

Magnification: 10x40 optical

15x200 digital

Lighting: 4leds White

Resolution: 1600x1200 pixels (Jpg)

Flash Memory: 2gigabytes

Professional program



Magnifying Glasses

Conditions of sale: Net prices.

GALILEI 2.25

Magnifying glasses 2.25 have been developed to be used as magnifying glasses for binocular work with an extended working distance for the special uses in medical or technical fields.

They distinguish themselves for their good vision thanks to the stereoscopic binoculars. The compact construction of the system allows seeing over the eyepiece in order to be able to orientate oneself. The ocular system of both eyes can be adjusted with an axial adjustment system.

The standard 2.25 magnifying glass offers a comfortable and stable base thanks to its arm and spring joints. They are delivered with a hard plastic case and weigh only 46 g.

Ref.	Field	Working distance	Price
17380	130	450	582.80
17381	110	340	582.80

Conditions of sale: Net prices.



Headband magnifying Glasses

GALILEI 2.25

Magnifying glasses 2.25 have been developed to be used as magnifying glasses for binocular work with an extended working distance for the special uses in medical or technical fields.

They distinguish themselves for their good vision thanks to the stereoscopic binoculars. The compact construction of the system allows seeing over the eyepiece in order to be able to orientate oneself. The ocular system of both eyes can be adjusted with an axial adjustment system.

The new 2.25 headband magnifying glass is ideal for glass-wearers and the users accustomed to work without glasses frame.

The eyepieces are adjustable separately and precisely thanks to a triple junction of the optical holder and can fit any head shape.

This magnifying glass can be comfortably worn for a long time.

Delivered with a hard plastic case.

Ref.	Field	Working distance	Price
17382	130	450	654.70
17383	110	340	654.70

Conditions of sale: Discount 10 % for 10 pieces.

August 2018



Magnifying Glasses 215



Schurch Asco SA



Partenaire et Savoir-faire

AV. DU 1ER MARS 33, CP 3052
CH-2001 NEUCHÂTEL
SWITZERLAND

PHONE : +41 32 724 3434

FAX : +41 32 724 3436

EMAIL : INFO@SCHURCH-ASCO.COM

WEB : WWW.SCHURCH-ASCO.COM



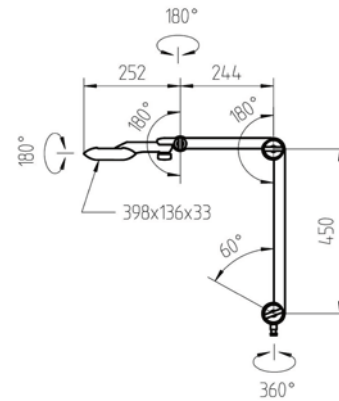
Short arm LED lamp

WALDMANN

UNIVERSAL TYPE TANEO TND 1400

Daylight lamp, 5000K.
Anodized aluminum case, with opal white diffuser.
Led 23 W, 5000k, 100-240 V, 50/60 HZ.
For watchmaker's post.

Ref.	Designation	Article Num.	Price
17710	TANEO TND 1400 / 950 Adjustable Intensity	Ref : 00 809 738	827.00
17711	TANEO TND 1400 / 950 Adjustable Intensity	Ref : 00 809 740	827.00



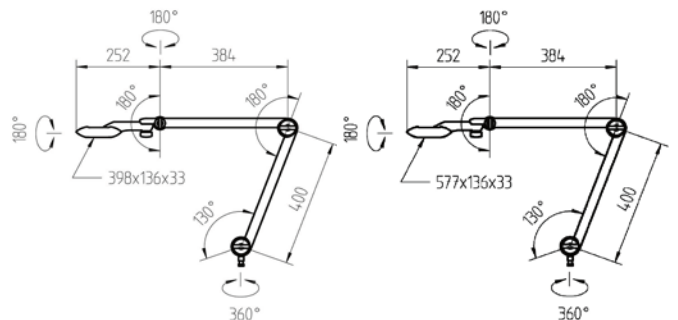
Long arm LED lamp

WALDMANN

UNIVERSAL TYPE TANEO TND

Daylight lamp, 5000K.
Anodized aluminum case, with opal white diffuser.
Led 23 W | 30 W, 5000k, 100-240 V, 50/60 HZ.
For watchmaker's post.

Ref.	Designation	Article Num.	Price
17712	TANEO TND 1400 / 950 Intensité Réglable	Ref : 00 800 737	784.00
17713	TANEO TND 2100 / 950 Intensité Fixe	Ref : 00 809 772	897.00



TANEO TND 1400 / 950

TANEO TND 2100 / 950



Lamp

WALDMANN

MODEL SNE

Daylight 5400 ° K, electronic, universal and with articulated arm, with diffuser white opale, with support for additional magnifying glass **16442**.

Voltage: 230 V 50/60 hz



Ref.	Designation	Size	Article Num.	Price
16440	SNE 118 - 18 watts	308 x 118 x 70	-	626.00
16441	SNE 136 - 36 watts	485 x 118 x 70	Ref: 00 089 979	639.70

Accessories

WALDMANN

for SNE lamp

Ref.	Size	Price
16442	Magnifying glass, diopter 3 = 1.75x, 190 x 138	304.00

LED Lamp

WALDMANN

MODEL SNLQ 54/2

- LED technology
- 4000k neutral white color temperature
- Color rendering index Ra> 95
- Anti-glare protection thanks to opal white diffuser
- Pivoting glass lens 175 x 105 mm with 3 diopters
- Light gray or black plastic case
- PC diffuser
- Spring-compensated arm
- On / off switch for segment switching on the lamp head
- Protection class IP20. protection class I
- Delivery with a connection cable of approx. 3m and CEE 7/7 type plug (earthed plug)
- Various attachments and additional magnifiers (4 diopters) available as accessories



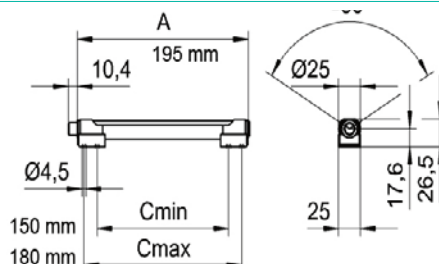
Ref.	Designation	Article Num.	Price
16443	SNLQ 54/2	Ref : 00 695 504	831.00

LED surface-mounted luminaire

WALDMANN

MODEL LEA 300/850/S

Power consumption approx. 3W
Luminous flux of the light approx. 315lm
Luminous efficacy of the luminaire approx. 105lm/W
type of light/color clear neutral white
Color temperature approx. 5.000K
Dimension A=195mm, Cmin=150mm, Cmax=180mm



Réf.	Designation	Item Num.	Price
16444	LEA 300/850/S	Ref : 00 801 340	179.00



Schurch Asco SA

ASCO

Partenaire et Savoir-faire

AV. DU 1ER MARS 33, CP 3052
CH-2001 NEUCHÂTEL
SWITZERLAND

PHONE : +41 32 724 3434

FAX : +41 32 724 3436

EMAIL : INFO@SCHURCH-ASCO.COM

WEB : WWW.SCHURCH-ASCO.COM

LED magnifying lamp

WALDMANN

TEVISIO TVD 750 / 940

LED magnifying lamp with articulated arm and diopter glass 3.5 long arm.

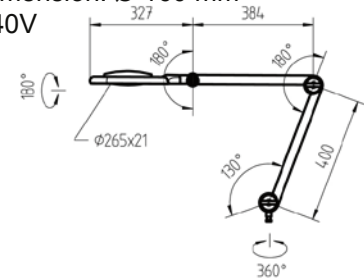
Special feature:

Additional lens.

Magnifiers / lenses; dimension: Ø 160 mm

Voltage: 14W | 100-240V

Frequency: 50/60 HZ



Ref.	Designation	Article Num.	Price
17714	Tevisio Plastic TVD 750 / 940	Ref : 00 800 638	627.00
17709	Tevisio Glass TVD 750 / 940	Ref : 00 800 660	970.00

Additional lenses

WALDMANN

FOR TEVISIO

Ref.	Designation	Article Num.	Price
17715	Additional lens Tevisio TVD 750 / 940	Ref : 00 80 29 94	57.00

POUR TANÉO

Ref.	Designation	Article Num.	Price
17716	Additional lens Taneo TND	Ref : 00 575 900	191.00



Ref : 00 80 29 94
Diopter 6



Ref : 00 575 900
Diopter 3,5

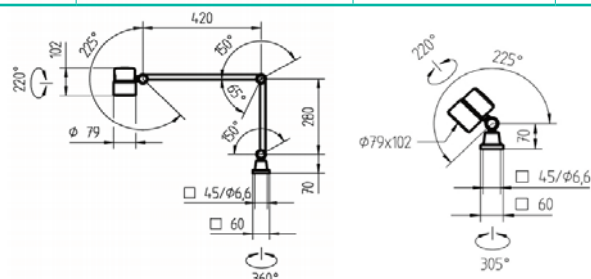
Rocia Focus Articulating Arm Lamp

WALDMANN

Brass seal for high protection IP 67.

Resistant to substances such as oils or cooling lubricants. With dimmer button.

Ref.	Designation	Article Num	Price
17717	Rocia Focus Articulated arm	Ref : 00 680 208	573.00
17718	Rocia Focus On ball joint	Ref : 00 721 996	442.00



Unsecured stabilization when moving the head.



LED Lamp

WALDMANN

ROCIA FOCUS MODEL

Articulated head lamp with metal hose of 600 mm.

Voltage: 8W | 100-240V

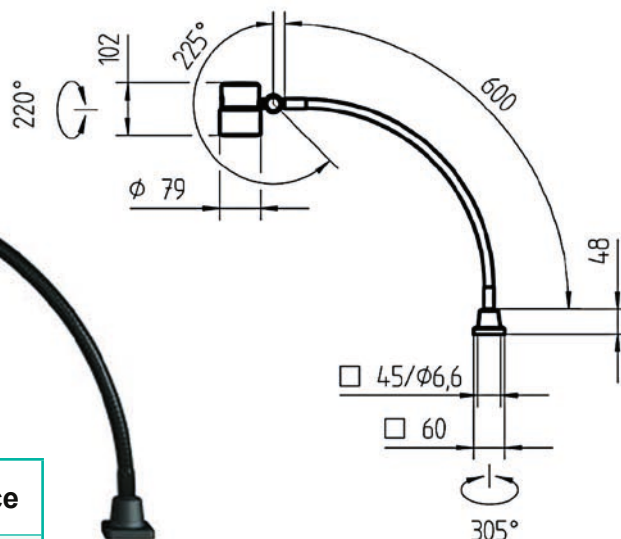
Frequency: 50/60 HZ

Temperature: 5000K

Angle of diffusion: 40 °

Brass seal for high protection IP 67.

Resistant to substances such as oils or cooling lubricants.



Ref.	Designation	Angle of diffusion	Article Num.	Price
16439	600/850 D	40 °	Ref : 00 681 708	558.00

Lamp base

Magnetic base

Magnetic base for Waldmann HI 20 halogen lamp and Rocia focus. Complete kit with protective felt.

Ref.	Designation	Color	Article Num.	Price
16450	For HI 20 + Rocia focus	Black	Ref : 00 80 7466	69.00



Heavy base

Handle with care when handling the axes of the lamp.

Ref.	Designation	Color	Article Num.	Price
16448	For : Rocia	Black	Ref : 00 014 959	229.00
16449	For : Rocia / SNE / TANE0 / TEVISIO	light grey	Ref : 00 014 993	169.00



Waldmann Veneer Clamp

Ref.	Designation	Thickness max.	Article Num.	Price
16445	For : Rocia / SNE / TANE0 / TEVISIO	45 mm	Ref : 00 014 923	31.00
16446		65 mm	Ref : 00 014 904	35.00
16447		135 mm	Ref : 00 014 950	40.00



Terms of Sale: Net price.

January 2023

Magnifying Glasses 219



Schurch Asco SA

ASCO

Partenaire et Savoir-faire

AV. DU 1ER MARS 33, CP 3052
CH-2001 NEUCHÂTEL
SWITZERLAND

PHONE : +41 32 724 3434
FAX : +41 32 724 3436
EMAIL : INFO@SCHURCH-ASCO.COM
WEB : WWW.SCHURCH-ASCO.COM

ASCO Binocular Microscope

SPZ-50SBG WITH ZOOM AND STAND



The microscope includes a 303 mm high column and a Ring illuminator with 54 white LEDs 6400 K, continuously adjustable intensity. The eyepieces are 45° inclined and the desk is 360° rotatable.

Magnification: 6.7 to 50 x
Zoom : 7.50 : 1
Working distance: 108
Base: plate 144 x 260
Diopter adjustment: ± 7.2 D
Total height: 405

Ref.	Designation	Weight	Price
17524	SPZ-50SBGM	6.1	2095.00
17496	rubber eye guard for SPZ + DSZ type		9.85
17493	Protective Cover		4.35
17525	Diffuser for LED lamp SPZ-50SBG		19.00
17526	Transformer for LED lamp SPZ-50SBG		268.00

ASCO Binocular Microscope

DSZ-44 BRF LED



The microscope includes a 52 mm to 75 mm high column and a Ring illuminator with 54 white LEDs 6400 K, continuously adjustable intensity. Retro-éclairage avec filtre bleu Ø 37 mm et verre sablé Ø 80 mm. The eyepieces are 45° inclined and the desk is 360° rotatable.

Magnification: 10 to 44 x
Zoom: 4.40 : 1
Working distance: 90
Base: plate 160 x 219
Diopter adjustment: +5.6D - 7.2 D
Total height: 352

Ref.	Designation	Weight	Price
17503	DSZ-44 BRF LED	4.4	2085.00
17494	Transparent glass pad		18.10
17495	Blu filter glass pad		11.30
17493	Protective Cover		4.35

ASCO Binocular Microscope

SPZ-50PS WITH ZOOM



The microscope is delivered without light for the installation on a BOOM base. The eyepieces are 45° inclined and the desk is 360° rotatable.

Magnification: 6.7 to 50 x
Zoom: 7.50 : 1
Working distance: 108
Base: plate 220 x 284
Diopter adjustment: ±7.2 D
Total height: 372

Ref.	Designation	Weight	Price
17502	SPZ-50PS	4.9	1885.50

Conditions of sale: Net prices.
220 Magnifying Glasses

January 2024



ASCO Trinocular Microscope

SPZV-50UNGM

WITH ZOOM AND STAND

Magnification: 6.7 to 50 x

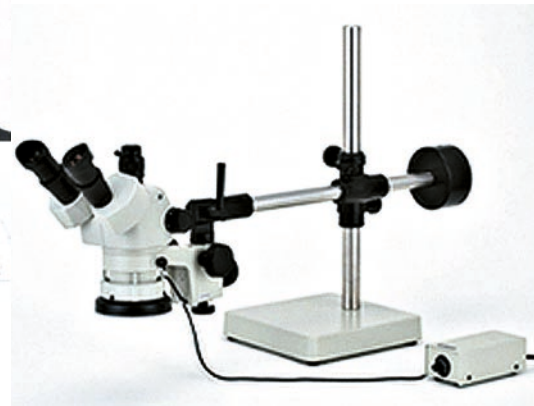
Zoom: 7.50 : 1

Working distance: 108

Base: plate 230 x 230

Diopter adjustment: ± 7.2 D

Total height: 488



Ref.	Designation	Weight	Price
17501	SPZV-50UNGM	24.4	3885.00
17492	Pair of objectives for binocular SPZ Type DHW 10X METAL		184.50
17497	rubber eyeguard for DSZ typ		7.60

SPZ-50 series is provided with a zoom that allows a magnification going from 6.7 to 50 x with a standard eyepiece DHW10x. SPZT et SPZV series allows the addition of an extra eyepiece that can be used for taking pictures or filming. A ring provided on the vertical tube allows the adjustment of the focal. The microscope includes a LED light and a system View. The eyepieces are 45° inclined and the desk is 360° rotatable.

ASCO Trinocular Microscope

SPZT-50D-SGBM

WITH ZOOM AND STAND

The microscope includes a 303 mm high column and a Ring illuminator with 54 white LEDs 6400 K, continuously adjustable intensity. The eyepieces are 45° inclined and the desk is 360° rotatable.

Magnification: 6.7 to 50 x

Zoom : 7.50 : 1

Working distance: 108

Base: plate 144 x 260

Diopter adjustment: ± 7.2 D

Total height: 405



Ref.	Designation	Specifications	Price
17499	SPZT-50D-SBGM	6.2	2465.00

Microscope binocular ASCO

SPZ-50UNGM WITH ZOOM AND BOOM STAND

The microscope incorporates a high column of 544 and an annular light source with infinitely adjustable intensity. The eyepieces are inclined at 45° and the stage is rotatable through 360°.

Magnification : 6.7 à 50 x

Zoom : 7.50 : 1

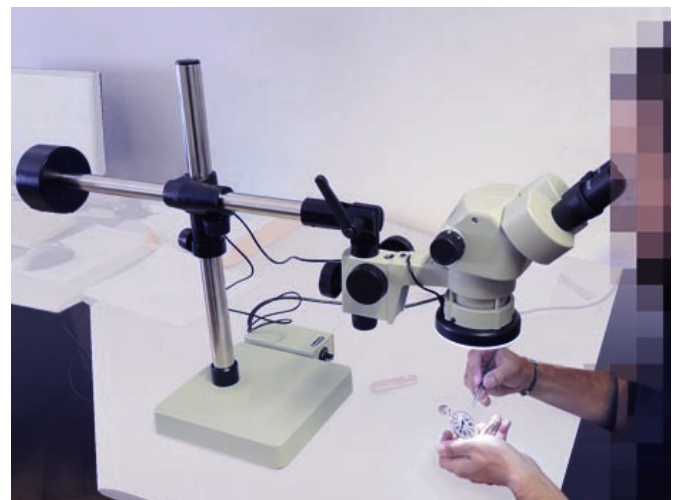
Working distance : 108

Support : plaque de base de 230 x 230

Diopter adjustment : ± 7.2 D

Total height : 544

Réf.	Designation	Weight	Price
17505	SPZ-50UNGM	23.4	3293.00





CAMERA M-A UDPC5

USB / DIGITAL CAMERA 5 MEGAPIXEL

WITH MEASUREMENT SOFTWARE FOR MICROSCOPE



Ref.	Designation	Specifications	Price
17504	CMOS Camera	FMA050	833.00
17512	EP25-C10/100	dia 25 mm, cross 10/100	86.60

WI-FI CAMERA

26 100-256
iOS Compatibility



Ref.	Designation	Specifications	Price
17530	26 100-256	Wi-Fi Camera	495.00

Conditions of sale: Net prices.

- T-PENTAX/S
- T-PENTAX/F
- T-NIKON/F
- T-MINOLTA/SR
- T-MINOLTA/A
- T-CANON/F
- T-CANON/EOS
- T-OLYMPUS/OM
- T-OLYMPUS/E 4/3
- T-KONICA
- T-FUJICA
- T-CONTAX



17513



17514

ASCO Adapter for Camera

T-MICRO

Optical connection socket for camera SLR type.
Ring for cameras of the listed brands to be used with optical socket T-Micro.
Compatible models are to be indicated in the order:

Ref.	Designation	Type	Price
17513	upper adaptor	T-micro	42.30
17514	ring	T-mount	22.00

CCD Camera ASCO Adapter

TVA-45

Adapter for CCD camera with C assembling.



Ref.	Designation	Price
17511	ASCO TVA-45	123.00

Spare Lighting

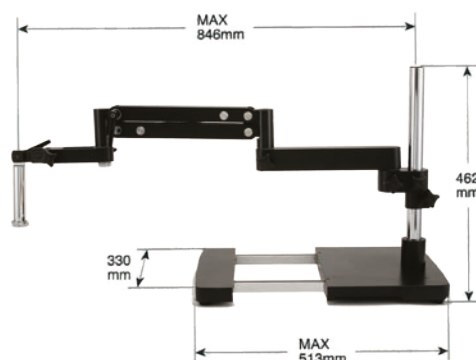
Ref.	Designation	Type	Price
17520	Rear-light	TB20-23020	9.90



BOOM STAND V-7C

Universal boom stand V-7C model with articulated arm without counter-weight. Very good stability, ideal for various types of assembling with binocular type SPZ50PS.

Ref.	Designation	Type	Price
17507	BOOM Stand	V-7C	563.00

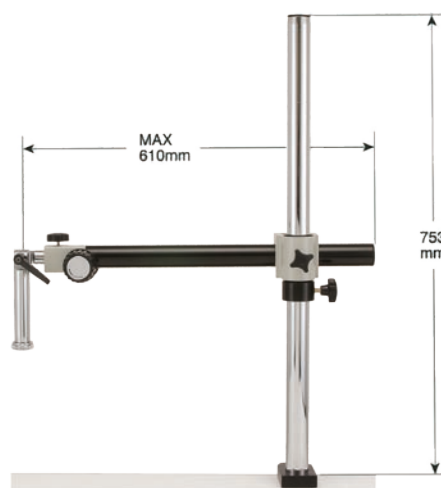


Conditions of sale: Net prices.

BOOM STAND V-3C

Universal boom stand with G clamp fixation and articulated arm.

Ref.	Designation	Type	Price
17518	BOOM Stand	V-3C	364.00



ASCO Gliding Stage

XR723

Gliding stage with closed circulation linear bearing.

Size: 350 x 250 x 103

Base plate: 520 x 480

Movement: 360 x 418

Ref.	Type	Price
17522	XR723	2198.00



ASCO Optical fiber Illuminator

L-150AR60/L

Cold light 150W optical fiber illuminator with ring light guide. Adjustable intensity, long life last (~200h)

Ref.	Designation	Type	Price
17508	cold light	ASCO L-150AR60/L	766.00



Conditions of sale: Net prices.

August 2021

Magnifying Glasses 223



Schurch Asco SA

ASCO

Partenaire et Savoir-faire

AV. DU 1ER MARS 33, CP 3052
CH-2001 NEUCHÂTEL
SWITZERLAND

PHONE : +41 32 724 3434
FAX : +41 32 724 3436
EMAIL : INFO@SCHURCH-ASCO.COM
WEB : WWW.SCHURCH-ASCO.COM

ASCO Optical fiber Illuminator

L-150AB/L

Cold light 150W optical fiber illuminator. Adjustable intensity with ring light guide, long life time (~200h). The additional sockets allow a lighting going from a 20 to 200 mm distance on a 10 to 40 mm diameter surface.



Ref.	Designation	Type	Price
17509	cold light	L-150AB/L	818.00
17515	optical socket	L-150FL	36.35

Light source

for 150AB/L - 150AR/L

Ref.	Designation	Type	Price
17519	halogen bulb	L-150BULB/L	69.00

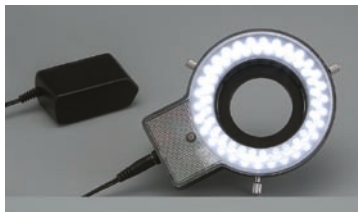


ASCO White LED Ring Illuminator

MIC-56

Ring illuminator with 56 white LEDs, continuously adjustable intensity. White colour 4300°K. Long life last.

Ref.	Designation	Type	Price
17510	ring illuminator	MIC-56	252.00



ASCO White LED Ring Illuminator

LED-60T

Ring illuminator with 60 white LEDs, adjustable intensity on 4 levels. White colour 4300°K. Long life last.

Activation of LEDs: Right - Left | Up - Down

Ref.	Designation	Type	Price
17516	ring illuminator	LED-60T	211.00
17497	AC/DC Transformer for LED-60T		34.00