



# Schurch Asco SA



*Partenaire et Savoir-faire*

AV. DU 1ER MARS 33, CP 3052  
CH-2001 NEUCHÂTEL  
SWITZERLAND

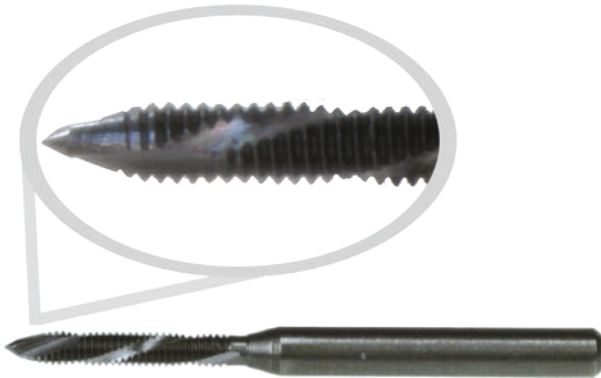
PHONE : +41 32 724 3434

FAX : +41 32 724 3436

EMAIL : INFO@SCHURCH-ASCO.COM

WEB : WWW.SCHURCH-ASCO.COM

## 1. TAPS AND SCREW-PLATES



### ASCO machine Tap

for horology and equipment

high-speed steel

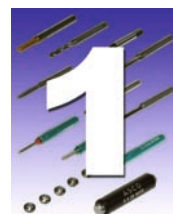
### SPIROLEX 10 / 3G NIHS

For brass, traversing holes, with 2 helicoidal grooves. Helix at left, perfectly countersinking the chips towards the front. E.g.: for the horological plates. For execution with long shaft for Hauser 570 and Emissa head see page 6.

REF.	Ø NOMINAL	PITCH	Ø SHAFT	L TOTAL	L USEFUL	Ø EXTERNAL	Ø DRILLING		PRICE
							STEEL	BRASS	
01020	S 0.30	0.080	1.00	22	2.0	0.32	0.24	0.24	17.20
01021	S 0.35	0.090	1.00	22	2.0	0.37	0.28	0.28	17.20
01022	S 0.40	0.100	1.00	22	2.5	0.42	0.33	0.32	14.30
01023	S 0.50	0.125	1.00	22	3.0	0.52	0.43	0.40	14.30
01024	S 0.60	0.150	1.00	22	3.5	0.63	0.51	0.49	11.50
01025	S 0.70	0.175	1.50	25	4.5	0.73	0.59	0.57	7.50
01026	S 0.80	0.200	1.50	25	5.0	0.83	0.67	0.65	7.50
01027	S 0.90	0.225	1.50	25	5.5	0.93	0.75	0.73	7.50
01028	S 1.00	0.250	1.50	25	6.0	1.04	0.83	0.81	7.50
01029	S 1.10	0.250	1.50	25	7.0	1.14	0.93	0.91	7.50
01030	S 1.20	0.250	1.50	25	7.0	1.24	1.03	1.01	7.50
01031	S 1.30	0.300	1.50	25	8.0	1.34	1.09	1.07	7.50
01032	S 1.40	0.300	2.00	30	8.5	1.44	1.19	1.17	7.90
01033	S 1.50	0.300	2.00	30	10	1.54	1.29	1.27	7.90
01034	M 1.60	0.350	2.00	30	10	1.64	1.32	1.30	7.90
01035	M 1.70	0.350	2.00	30	10	1.74	1.42	1.40	7.90
01036	M 1.80	0.350	2.00	30	10	1.84	1.52	1.50	7.90
01037	M 2.00	0.400	3.00	35	13	2.07	1.68	1.65	8.60
01038	M 2.20	0.450	3.00	35	13	2.27	1.84	1.80	8.60
01039	M 2.30	0.400	3.00	35	13	2.37	1.98	1.95	8.60
01040	M 2.40	0.450	3.00	40	15	2.47	2.04	2.00	8.60
01041	M 2.50	0.450	3.00	40	15	2.57	2.14	2.10	8.60
01042	M 2.60	0.450	3.00	40	15	2.67	2.24	2.20	8.60
01043	M 3.00	0.500	4.00	40	16	3.09	2.60	2.50	10.00
01044	M 3.50	0.600	4.00	40	17	3.59	3.01	2.90	10.00
01045	M 4.00	0.700	5.00	50	20	4.10	3.42	3.30	11.50
01046	M 4.50	0.750	5.00	50	20	4.60	3.87	3.75	11.50
01047	M 5.00	0.800	6.00	55	25	5.10	4.35	4.20	12.90
01049	M 6.00	1.000	6.00	55	25	6.12	5.15	5.00	12.90

Conditions of sale: Discount or increase vary depending on the quantity and the diameter of identical shafts of the ordered articles

	1.00 - 2.00	3.00	4.00	5.00 - 6.00	condition (%)
Quantity (pieces)	1 - 19	1 - 9	1 - 4	1	+ 30
	20 - 99	10 - 49	5 - 24	2 - 9	net
	100 - 199	50 - 99	25 - 49	10 - 19	- 20
	200 and more	100 and more	50 and more	20 and more	- 30



## ASCO machine Tap

for horology and equipment  
high-speed steel

### SPIROLEX 20 / 3G NIHS

For thin steel, traversing holes, with 2 helicoidal grooves. Helix at left, perfectly countersinking the chips towards the front. E.g.: for pull-out pieces, top balance-endpieces, steel plates, etc.



REF.	Ø NOMINAL	PITCH	Ø SHAFT	L TOTAL	L USEFUL	Ø EXTERNAL	Ø DRILLING		PRICE
							STEEL	BRASS	
01080	S 0.30	0.080	1.00	22	2.0	0.32	0.24	0.24	17.20
01081	S 0.35	0.090	1.00	22	2.0	0.37	0.28	0.28	17.20
01082	S 0.40	0.100	1.00	22	2.5	0.42	0.33	0.32	14.30
01083	S 0.50	0.125	1.00	22	3.0	0.52	0.43	0.40	14.30
01084	S 0.60	0.150	1.00	22	3.5	0.63	0.51	0.49	11.50
01085	S 0.70	0.175	1.50	25	4.5	0.73	0.59	0.57	7.50
01086	S 0.80	0.200	1.50	25	5.0	0.83	0.67	0.65	7.50
01087	S 0.90	0.225	1.50	25	5.5	0.93	0.75	0.73	7.50
01088	S 1.00	0.250	1.50	25	6.0	1.04	0.83	0.81	7.50
01089	S 1.10	0.250	1.50	25	7.0	1.14	0.93	0.91	7.50
01090	S 1.20	0.250	1.50	25	7.0	1.24	1.03	1.01	7.50
01091	S 1.30	0.300	1.50	25	8.0	1.34	1.09	1.07	7.50
01092	S 1.40	0.300	2.00	30	8.5	1.44	1.19	1.17	7.90
01093	S 1.50	0.300	2.00	30	10	1.54	1.29	1.27	7.90
01094	M 1.60	0.350	2.00	30	10	1.64	1.32	1.30	7.90
01095	M 1.70	0.350	2.00	30	10	1.74	1.42	1.40	7.90
01096	M 1.80	0.350	2.00	30	10	1.84	1.52	1.50	7.90
01097	M 2.00	0.400	3.00	35	13	2.07	1.68	1.65	8.60
01098	M 2.20	0.450	3.00	35	13	2.27	1.84	1.80	8.60
01099	M 2.30	0.400	3.00	35	13	2.37	1.98	1.95	8.60
01100	M 2.40	0.450	3.00	40	15	2.47	2.04	2.00	8.60
01101	M 2.50	0.450	3.00	40	15	2.57	2.14	2.10	8.60
01102	M 2.60	0.450	3.00	40	15	2.67	2.24	2.20	8.60
01103	M 3.00	0.500	4.00	40	16	3.09	2.60	2.50	10.00
01104	M 3.50	0.600	4.00	40	17	3.59	3.01	2.90	10.00
01105	M 4.00	0.700	5.00	50	20	4.10	3.42	3.30	11.50
01106	M 4.50	0.750	5.00	50	20	4.60	3.87	3.75	11.50
01107	M 5.00	0.800	6.00	55	25	5.10	4.35	4.20	12.90
01109	M 6.00	1.000	6.00	55	25	6.12	5.15	5.00	12.90

Conditions of sale: Discount or increase vary depending on the quantity and the shaft diameter of identical item per order.

Quantity (pieces)	1.00 - 2.00	3.00	4.00	5.00 - 6.00	condition (%)
		1 - 19	1 - 9	1 - 4	1
	20 - 99	10 - 49	5 - 24	2 - 9	net
	100 - 199	50 - 99	25 - 49	10 - 19	- 20
	200 and more	100 and more	50 and more	20 and more	- 30



# Schurch Asco SA



*Partenaire et Savoir-faire*

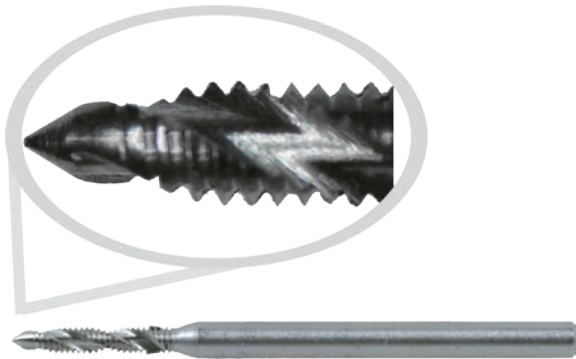
AV. DU 1ER MARS 33, CP 3052  
CH-2001 NEUCHÂTEL  
SWITZERLAND

PHONE : +41 32 724 3434

FAX : +41 32 724 3436

EMAIL : [INFO@SCHURCH-ASCO.COM](mailto:INFO@SCHURCH-ASCO.COM)

WEB : [WWW.SCHURCH-ASCO.COM](http://WWW.SCHURCH-ASCO.COM)



*ASCO machine Tap  
for horology and equipment  
high-speed steel*

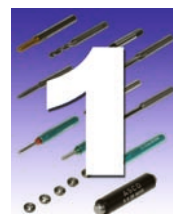
**SPIROLEX 30 / 3G NIHS**

For brass blind holes, with 2 helicoidal grooves. Helix at right, perfectly countersinking the chips towards the back. For automatic lathe and tapping-machine. For execution with long shaft for Hauser 570 and Emissa head, see page 8.

REF.	Ø NOMINAL	PITCH	Ø SHAFT	L TOTAL	L USEFUL	Ø EXTERNAL	Ø DRILLING		PRICE
							STEEL	BRASS	
01140	S 0.30	0.080	1.00	22	2.0	0.32	0.24	0.24	17.20
01141	S 0.35	0.090	1.00	22	2.0	0.37	0.28	0.28	17.20
01142	S 0.40	0.100	1.00	22	2.5	0.42	0.33	0.32	14.30
01143	S 0.50	0.125	1.00	22	3.0	0.52	0.43	0.40	14.30
01144	S 0.60	0.150	1.00	22	3.5	0.63	0.51	0.49	11.50
01145	S 0.70	0.175	1.50	25	4.5	0.73	0.59	0.57	7.50
01146	S 0.80	0.200	1.50	25	5.0	0.83	0.67	0.65	7.50
01147	S 0.90	0.225	1.50	25	5.5	0.93	0.75	0.73	7.50
01148	S 1.00	0.250	1.50	25	6.0	1.04	0.83	0.81	7.50
01149	S 1.10	0.250	1.50	25	7.0	1.14	0.93	0.91	7.50
01150	S 1.20	0.250	1.50	25	7.0	1.24	1.03	1.01	7.50
01151	S 1.30	0.300	1.50	25	8.0	1.34	1.09	1.07	7.50
01152	S 1.40	0.300	2.00	30	8.5	1.44	1.19	1.17	7.90
01153	S 1.50	0.300	2.00	30	10	1.54	1.29	1.27	7.90
01154	M 1.60	0.350	2.00	30	10	1.64	1.32	1.30	7.90
01155	M 1.70	0.350	2.00	30	10	1.74	1.42	1.40	7.90
01156	M 1.80	0.350	2.00	30	10	1.84	1.52	1.50	7.90
01157	M 2.00	0.400	3.00	35	13	2.07	1.68	1.65	8.60
01158	M 2.20	0.450	3.00	35	13	2.27	1.84	1.80	8.60
01159	M 2.30	0.400	3.00	35	13	2.37	1.98	1.95	8.60
01160	M 2.40	0.450	3.00	40	15	2.47	2.04	2.00	8.60
01161	M 2.50	0.450	3.00	40	15	2.57	2.14	2.10	8.60
01162	M 2.60	0.450	3.00	40	15	2.67	2.24	2.20	8.60
01163	M 3.00	0.500	4.00	40	16	3.09	2.60	2.50	10.00
01164	M 3.50	0.600	4.00	40	17	3.59	3.01	2.90	10.00
01165	M 4.00	0.700	5.00	50	20	4.10	3.42	3.30	11.50
01166	M 4.50	0.750	5.00	50	20	4.60	3.87	3.75	11.50
01167	M 5.00	0.800	6.00	55	25	5.10	4.35	4.20	12.90
01169	M 6.00	1.000	6.00	55	25	6.12	5.15	5.00	12.90

Conditions of sale: Discount or increase vary depending on the quantity and the shaft diameter of identical item per order.

	1.00 - 2.00	3.00	4.00	5.00 - 6.00	condition (%)
Quantity (pieces)	1 - 19	1 - 9	1 - 4	1	+ 30
	20 - 99	10 - 49	5 - 24	2 - 9	net
	100 - 199	50 - 99	25 - 49	10 - 19	- 20
	200 and more	100 and more	50 and more	20 and more	- 30

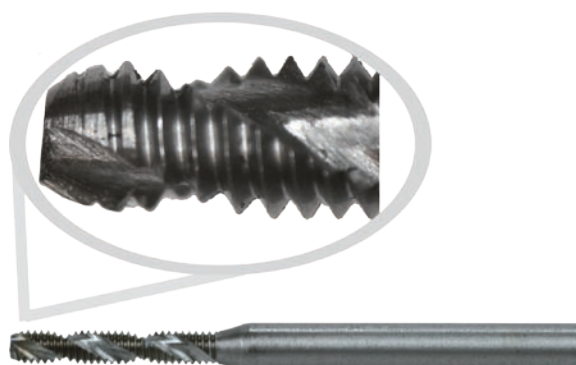


*ASCO machine Tap  
for horology and equipment  
high-speed steel*

**SPIROLEX 35 / 3G NIHS**

For brass, traversing or blind holes with 2 helicoidal grooves.

Identical to n° 30 but without point.



REF.	Ø NOMINAL	PITCH	Ø SHAFT	L TOTAL	L USEFUL	Ø EXTERNAL	Ø DRILLING		PRICE
							STEEL	BRASS	
01500	S 0.30	0.080	1.00	22	2.0	0.32	0.24	0.24	17.50
01501	S 0.35	0.090	1.00	22	2.0	0.37	0.28	0.28	17.50
01502	S 0.40	0.100	1.00	22	2.5	0.42	0.33	0.32	14.60
01503	S 0.50	0.125	1.00	22	3.0	0.52	0.43	0.40	14.60
01504	S 0.60	0.150	1.00	22	3.5	0.63	0.51	0.49	11.80
01505	S 0.70	0.175	1.50	25	4.5	0.73	0.59	0.57	7.80
01506	S 0.80	0.200	1.50	25	5.0	0.83	0.67	0.65	7.80
01507	S 0.90	0.225	1.50	25	5.5	0.93	0.75	0.73	7.80
01508	S 1.00	0.250	1.50	25	6.0	1.04	0.83	0.81	7.80
01509	S 1.10	0.250	1.50	25	7.0	1.14	0.93	0.91	7.80
01510	S 1.20	0.250	1.50	25	7.0	1.24	1.03	1.01	7.80
01511	S 1.30	0.300	1.50	25	8.0	1.34	1.09	1.07	7.80
01512	S 1.40	0.300	2.00	30	8.5	1.44	1.19	1.17	8.20
01513	S 1.50	0.300	2.00	30	10	1.54	1.29	1.27	8.20
01514	M 1.60	0.350	2.00	30	10	1.64	1.32	1.30	8.20
01515	M 1.70	0.350	2.00	30	10	1.74	1.42	1.40	8.20
01516	M 1.80	0.350	2.00	30	10	1.84	1.52	1.50	8.20
01517	M 2.00	0.400	3.00	35	13	2.07	1.68	1.65	8.90
01518	M 2.20	0.450	3.00	35	13	2.27	1.84	1.80	8.90
01519	M 2.30	0.400	3.00	35	13	2.37	1.98	1.95	8.90
01520	M 2.40	0.450	3.00	40	15	2.47	2.04	2.00	8.90
01521	M 2.50	0.450	3.00	40	15	2.57	2.14	2.10	8.90
01522	M 2.60	0.450	3.00	40	15	2.67	2.24	2.20	8.90
01523	M 3.00	0.500	4.00	40	16	3.09	2.60	2.50	10.30
01524	M 3.50	0.600	4.00	40	17	3.59	3.01	2.90	10.30
01525	M 4.00	0.700	5.00	50	20	4.10	3.42	3.30	11.80
01526	M 4.50	0.750	5.00	50	20	4.60	3.87	3.75	11.80
01527	M 5.00	0.800	6.00	55	25	5.10	4.35	4.20	13.20
01529	M 6.00	1.000	6.00	55	25	6.12	5.15	5.00	13.20

Conditions of sale: Discount or increase vary depending on the quantity and the shaft diameter of identical item per order.

	1.00 - 2.00	3.00	4.00	5.00 - 6.00	condition (%)
Quantity (pieces)	1 - 19	1 - 9	1 - 4	1	+ 30
	20 - 99	10 - 49	5 - 24	2 - 9	net
	100 - 199	50 - 99	25 - 49	10 - 19	- 20
	200 and more	100 and more	50 and more	20 and more	- 30





# Schurch Asco SA



*Partenaire et Savoir-faire*

AV. DU 1ER MARS 33, CP 3052  
CH-2001 NEUCHÂTEL  
SWITZERLAND

PHONE : +41 32 724 3434

FAX : +41 32 724 3436

EMAIL : [INFO@SCHURCH-ASCO.COM](mailto:INFO@SCHURCH-ASCO.COM)

WEB : [WWW.SCHURCH-ASCO.COM](http://WWW.SCHURCH-ASCO.COM)



## ASCO machine Tap

for horology and equipment

high-speed steel

**SPIROLEX 40 / 3G NIHS**

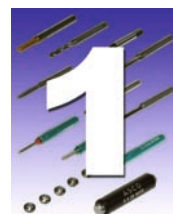
For brass, blind or traversing holes, with 2 straight grooves.

For automatic lathe and tapping-machine.

REF.	Ø NOMINAL	PITCH	Ø SHAFT	L TOTAL	L USEFUL	Ø EXTERNAL	Ø DRILLING		PRICE
							STEEL	BRASS	
01200	S 0.30	0.080	1.00	22	2.0	0.32	0.24	0.24	17.20
01201	S 0.35	0.090	1.00	22	2.0	0.37	0.28	0.28	17.20
01202	S 0.40	0.100	1.00	22	2.5	0.42	0.33	0.32	14.30
01203	S 0.50	0.125	1.00	22	3.0	0.52	0.43	0.40	14.30
01204	S 0.60	0.150	1.00	22	3.5	0.63	0.51	0.49	11.50
01205	S 0.70	0.175	1.50	25	4.5	0.73	0.59	0.57	7.50
01206	S 0.80	0.200	1.50	25	5.0	0.83	0.67	0.65	7.50
01207	S 0.90	0.225	1.50	25	5.5	0.93	0.75	0.73	7.50
01208	S 1.00	0.250	1.50	25	6.0	1.04	0.83	0.81	7.50
01209	S 1.10	0.250	1.50	25	7.0	1.14	0.93	0.91	7.50
01210	S 1.20	0.250	1.50	25	7.0	1.24	1.03	1.01	7.50
01211	S 1.30	0.300	1.50	25	8.0	1.34	1.09	1.07	7.50
01212	S 1.40	0.300	2.00	30	8.5	1.44	1.19	1.17	7.90
01213	S 1.50	0.300	2.00	30	10	1.54	1.29	1.27	7.90
01214	M 1.60	0.350	2.00	30	10	1.64	1.32	1.30	7.90
01215	M 1.70	0.350	2.00	30	10	1.74	1.42	1.40	7.90
01216	M 1.80	0.350	2.00	30	10	1.84	1.52	1.50	7.90
01217	M 2.00	0.400	3.00	35	13	2.07	1.68	1.65	8.60
01218	M 2.20	0.450	3.00	35	13	2.27	1.84	1.80	8.60
01219	M 2.30	0.400	3.00	35	13	2.37	1.98	1.95	8.60
01220	M 2.40	0.450	3.00	40	15	2.47	2.04	2.00	8.60
01221	M 2.50	0.450	3.00	40	15	2.57	2.14	2.10	8.60
01222	M 2.60	0.450	3.00	40	15	2.67	2.24	2.20	8.60
01223	M 3.00	0.500	4.00	40	16	3.09	2.60	2.50	10.00
01224	M 3.50	0.600	4.00	40	17	3.59	3.01	2.90	10.00
01225	M 4.00	0.700	5.00	50	20	4.10	3.42	3.30	11.50
01226	M 4.50	0.750	5.00	50	20	4.60	3.87	3.75	11.50
01227	M 5.00	0.800	6.00	55	25	5.10	4.35	4.20	12.90
01229	M 6.00	1.000	6.00	55	25	6.12	5.15	5.00	12.90

Conditions of sale: Discount or increase vary depending on the quantity and the shaft diameter of identical item per order.

	1.00 - 2.00	3.00	4.00	5.00 - 6.00	condition (%)
Quantity (pieces)	1 - 19	1 - 9	1 - 4	1	+ 30
	20 - 99	10 - 49	5 - 24	2 - 9	net
	100 - 199	50 - 99	25 - 49	10 - 19	- 20
	200 and more	100 and more	50 and more	20 and more	- 30

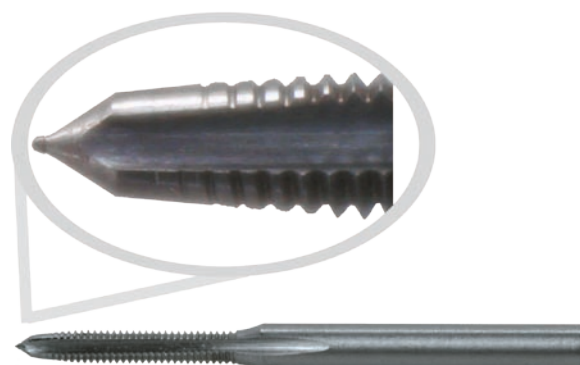


## ASCO machine Tap

for horology and equipment  
high-speed steel

### SPIROLEX 50 / 3G NIHS

For steel, for blind with 3 straight grooves. Good resistance to breakage. For automatic lathe and tapping-machine.



REF.	Ø NOMINAL	PITCH	Ø SHAFT	L TOTAL	L USEFUL	Ø EXTERNAL	Ø DRILLING		PRICE
							STEEL	BRASS	
01260	S 0.30	0.080	1.00	22	2.0	0.32	0.24	0.24	17.20
01261	S 0.35	0.090	1.00	22	2.0	0.37	0.28	0.28	17.20
01262	S 0.40	0.100	1.00	22	2.5	0.42	0.33	0.32	14.30
01263	S 0.50	0.125	1.00	22	3.0	0.52	0.43	0.40	14.30
01264	S 0.60	0.150	1.00	22	3.5	0.63	0.51	0.49	11.50
01265	S 0.70	0.175	1.50	25	4.5	0.73	0.59	0.57	7.50
01266	S 0.80	0.200	1.50	25	5.0	0.83	0.67	0.65	7.50
01267	S 0.90	0.225	1.50	25	5.5	0.93	0.75	0.73	7.50
01268	S 1.00	0.250	1.50	25	6.0	1.04	0.83	0.81	7.50
01269	S 1.10	0.250	1.50	25	7.0	1.14	0.93	0.91	7.50
01270	S 1.20	0.250	1.50	25	7.0	1.24	1.03	1.01	7.50
01271	S 1.30	0.300	1.50	25	8.0	1.34	1.09	1.07	7.50
01272	S 1.40	0.300	2.00	30	8.5	1.44	1.19	1.17	7.90
01273	S 1.50	0.300	2.00	30	10	1.54	1.29	1.27	7.90
01274	M 1.60	0.350	2.00	30	10	1.64	1.32	1.30	7.90
01275	M 1.70	0.350	2.00	30	10	1.74	1.42	1.40	7.90
01276	M 1.80	0.350	2.00	30	10	1.84	1.52	1.50	7.90
01277	M 2.00	0.400	3.00	35	13	2.07	1.68	1.65	8.60
01278	M 2.20	0.450	3.00	35	13	2.27	1.84	1.80	8.60
01279	M 2.30	0.400	3.00	35	13	2.37	1.98	1.95	8.60
01280	M 2.40	0.450	3.00	40	15	2.47	2.04	2.00	8.60
01281	M 2.50	0.450	3.00	40	15	2.57	2.14	2.10	8.60
01282	M 2.60	0.450	3.00	40	15	2.67	2.24	2.20	8.60
01283	M 3.00	0.500	4.00	40	16	3.09	2.60	2.50	10.00
01284	M 3.50	0.600	4.00	40	17	3.59	3.01	2.90	10.00
01285	M 4.00	0.700	5.00	50	20	4.10	3.42	3.30	11.50
01286	M 4.50	0.750	5.00	50	20	4.60	3.87	3.75	11.50
01287	M 5.00	0.800	6.00	55	25	5.10	4.35	4.20	12.90
01289	M 6.00	1.000	6.00	55	25	6.12	5.15	5.00	12.90

Conditions of sale: Discount or increase vary depending on the quantity and the shaft diameter of identical item per order.

	1.00 - 2.00	3.00	4.00	5.00 - 6.00	condition (%)
Quantity (pieces)	1 - 19	1 - 9	1 - 4	1	+ 30
	20 - 99	10 - 49	5 - 24	2 - 9	net
	100 - 199	50 - 99	25 - 49	10 - 19	- 20
	200 and more	100 and more	50 and more	20 and more	- 30



# Schurch Asco SA



*Partenaire et Savoir-faire*

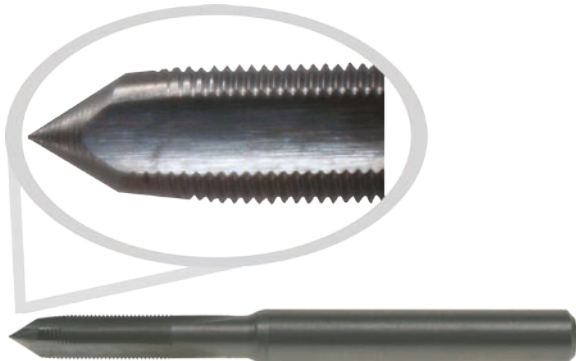
AV. DU 1ER MARS 33, CP 3052  
CH-2001 NEUCHÂTEL  
SWITZERLAND

PHONE : +41 32 724 3434

FAX : +41 32 724 3436

EMAIL : [INFO@SCHURCH-ASCO.COM](mailto:INFO@SCHURCH-ASCO.COM)

WEB : [WWW.SCHURCH-ASCO.COM](http://WWW.SCHURCH-ASCO.COM)



## ASCO machine Tap

*Special profiles with fine pitch*

**HSSE/PM TYPE N ° 50**

For steel, through or blind holes with 3 straight grooves. Good resistance to breakage. For lathe (automatic lathe) and tapping machine.

Thread MF DIN 13 Fine pitch

ISO 1 Tolerance: Step 0.08 => 1.00 ISO1 (4H)

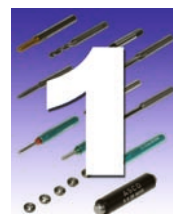
ISO 2 Tolerance: Step 0.08 => 0.225 ISO2 (5H)

ISO 2 Tolerance: Step 0.25 => 1.00 ISO2 (6H)

REF.	Ø NOMINAL	PITCH	Ø SHAFT	L TOTAL	L USEFUL	Ø EXTERNAL	Ø DRILLING	PRICE
16813	M 0.80	0.10	1.50	25	5	0.83	0.65	17.20
16814	M 0.80	0.125	1.50	25	4	0.82	0.675	17.20
16815	M 0.80	0.15	1.50	25	5	0.82	0.70	17.20
16822	M 1.00	0.15	1.50	25	6	1.03	0.85	17.20
16823	M 1.00	0.20	1.50	25	6	1.03	0.80	17.20
16824	M 1.20	0.20	1.50	25	7	1.23	1.00	14.30
16825	M 1.20	0.15	1.50	25	7	1.23	1.05	14.30
16826	M 1.40	0.20	2.00	30	8.5	1.43	1.20	14.30
16827	M 1.40	0.25	2.00	30	8.5	1.44	1.15	14.30
16816	M 1.60	0.20	2.00	30	10	1.63	1.40	14.30
16817	M 1.60	0.25	2.00	30	10	1.64	1.35	14.30
16818	M 1.80	0.20	2.00	30	10	1.83	1.60	14.30
16819	M 1.80	0.25	2.00	30	10	1.84	1.55	14.30
16820	M 2.00	0.20	3.00	35	13	2.03	1.80	17.20
16821	M 2.00	0.25	3.00	35	13	2.04	1.75	17.20
16828	M 2.20	0.20	3.00	35	13	2.23	2.00	17.20
16829	M 2.20	0.25	3.00	35	13	2.24	1.95	17.20
16830	M 2.30	0.25	3.00	35	13	2.34	2.05	17.20
16831	M 2.40	0.20	3.00	35	13	2.44	2.20	17.20
16832	M 2.50	0.20	3.00	40	15	2.54	2.30	17.20
16833	M 2.50	0.25	3.00	40	15	2.54	2.25	17.20
16834	M 2.50	0.35	3.00	40	15	2.56	2.15	17.20
16835	M 2.80	0.25	3.00	40	15	2.83	2.55	17.20
16836	M 3.00	0.25	4.00	40	16	3.03	2.75	21.45
16837	M 3.00	0.30	4.00	40	16	3.03	2.70	21.45
16812	M 3.00	0.35	4.00	40	16	3.04	2.65	21.45
16811	M 3.50	0.25	4.00	40	16	3.54	3.25	21.45
16810	M 3.50	0.35	4.00	40	16	3.55	3.15	21.45

Conditions of sale: Discount or increase vary depending on the quantity and the shaft diameter of identical item per order.

	1.00 - 2.00	3.00	4.00	5.00 - 6.00	condition (%)
Quantity (pieces)	1 - 19	1 - 9	1 - 4	1	+ 30
	20 - 99	10 - 49	5 - 24	2 - 9	net
	100 - 199	50 - 99	25 - 49	10 - 19	- 20
	200 and more	100 and more	50 and more	20 and more	- 30



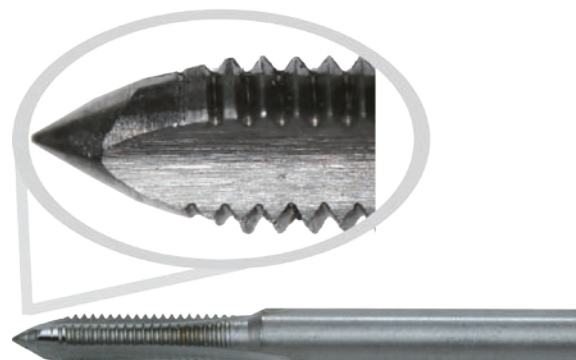
## ASCO machine Tap

for horology and equipment

high-speed steel

**SPIROLEX 60 / 3G NIHS**

For steel, short type, for blind or traversing holes, with 3 straight grooves. Particularly good resistance to breakage.  
For automatic lathe and tapping-machine.



REF.	Ø NOMINAL	PITCH	Ø SHAFT	L TOTAL	L USEFUL	Ø EXTERNAL	Ø DRILLING		PRICE
							STEEL	BRASS	
01320	S 0.30	0.080	1.00	22	2.0	0.32	0.24	0.24	17.20
01321	S 0.35	0.090	1.00	22	2.0	0.37	0.28	0.28	17.20
01322	S 0.40	0.100	1.00	22	2.5	0.42	0.33	0.32	14.30
01323	S 0.50	0.125	1.00	22	3.0	0.52	0.43	0.40	14.30
01324	S 0.60	0.150	1.00	22	3.5	0.63	0.51	0.49	11.50
01325	S 0.70	0.175	1.50	25	4.5	0.73	0.59	0.57	7.50
01326	S 0.80	0.200	1.50	25	5.0	0.83	0.67	0.65	7.50
01327	S 0.90	0.225	1.50	25	5.5	0.93	0.75	0.73	7.50
01328	S 1.00	0.250	1.50	25	6.0	1.04	0.83	0.81	7.50
01329	S 1.10	0.250	1.50	25	7.0	1.14	0.93	0.91	7.50
01330	S 1.20	0.250	1.50	25	7.0	1.24	1.03	1.01	7.50
01331	S 1.30	0.300	1.50	25	8.0	1.34	1.09	1.07	7.50
01332	S 1.40	0.300	2.00	30	8.5	1.44	1.19	1.17	7.90
01333	S 1.50	0.300	2.00	30	10	1.54	1.29	1.27	7.90
01334	M 1.60	0.350	2.00	30	10	1.64	1.32	1.30	7.90
01335	M 1.70	0.350	2.00	30	10	1.74	1.42	1.40	7.90
01336	M 1.80	0.350	2.00	30	10	1.84	1.52	1.50	7.90
01337	M 2.00	0.400	3.00	35	13	2.07	1.68	1.65	8.60
01338	M 2.20	0.450	3.00	35	13	2.27	1.84	1.80	8.60
01339	M 2.30	0.400	3.00	35	13	2.37	1.98	1.95	8.60
01340	M 2.40	0.450	3.00	40	15	2.47	2.04	2.00	8.60
01341	M 2.50	0.450	3.00	40	15	2.57	2.14	2.10	8.60
01342	M 2.60	0.450	3.00	40	15	2.67	2.24	2.20	8.60
01343	M 3.00	0.500	4.00	40	16	3.09	2.60	2.50	10.00
01344	M 3.50	0.600	4.00	40	17	3.59	3.01	2.90	10.00
01345	M 4.00	0.700	5.00	50	20	4.10	3.42	3.30	11.50
01346	M 4.50	0.750	5.00	50	20	4.60	3.87	3.75	11.50
01347	M 5.00	0.800	6.00	55	25	5.10	4.35	4.20	12.90
01349	M 6.00	1.000	6.00	55	25	6.12	5.15	5.00	12.90

Conditions of sale: Discount or increase vary depending on the quantity and the shaft diameter of identical item per order.

	1.00 - 2.00	3.00	4.00	5.00 - 6.00	condition (%)
Quantity (pieces)	1 - 19	1 - 9	1 - 4	1	+ 30
	20 - 99	10 - 49	5 - 24	2 - 9	net
	100 - 199	50 - 99	25 - 49	10 - 19	- 20
	200 and more	100 and more	50 and more	20 and more	- 30





# Schurch Asco SA

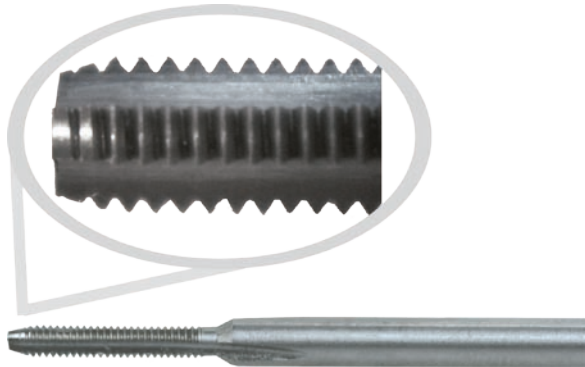


*Partenaire et Savoir-faire*

AV. DU 1ER MARS 33, CP 3052  
CH-2001 NEUCHÂTEL  
SWITZERLAND

PHONE : +41 32 724 3434  
FAX : +41 32 724 3436  
EMAIL : [INFO@SCHURCH-ASCO.COM](mailto:INFO@SCHURCH-ASCO.COM)  
WEB : [WWW.SCHURCH-ASCO.COM](http://WWW.SCHURCH-ASCO.COM)

## ASCO machine Tap



*Special profiles with fine pitch  
high-speed steel*

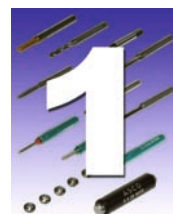
### SPIROLEX 65 / 3G NIHS

For steel, non-pointed type, for tapping to the bottoms of blind holes, with 3 straight grooves. Identical to n° 60 but without point. For automatic lathe, barrel-arbor and tapping machine.

REF.	Ø NOMINAL	PITCH	Ø SHAFT	L TOTAL	L USEFUL	Ø EXTERNAL	Ø DRILLING		PRICE
							STEEL	BRASS	
01560	S 0.30	0.080	1.00	22	2.0	0.32	0.24	0.24	17.50
01561	S 0.35	0.090	1.00	22	2.0	0.37	0.28	0.28	17.50
01562	S 0.40	0.100	1.00	22	2.5	0.42	0.33	0.32	14.60
01563	S 0.50	0.125	1.00	22	3.0	0.52	0.43	0.40	14.60
01564	S 0.60	0.150	1.00	22	3.5	0.63	0.51	0.49	11.80
01565	S 0.70	0.175	1.50	25	4.5	0.73	0.59	0.57	7.80
01566	S 0.80	0.200	1.50	25	5.0	0.83	0.67	0.65	7.80
01567	S 0.90	0.225	1.50	25	5.5	0.93	0.75	0.73	7.80
01568	S 1.00	0.250	1.50	25	6.0	1.04	0.83	0.81	7.80
01569	S 1.10	0.250	1.50	25	7.0	1.14	0.93	0.91	7.80
01570	S 1.20	0.250	1.50	25	7.0	1.24	1.03	1.01	7.80
01571	S 1.30	0.300	1.50	25	8.0	1.34	1.09	1.07	7.80
01572	S 1.40	0.300	2.00	30	8.5	1.44	1.19	1.17	8.20
01573	S 1.50	0.300	2.00	30	10	1.54	1.29	1.27	8.20
01574	M 1.60	0.350	2.00	30	10	1.64	1.32	1.30	8.20
01575	M 1.70	0.350	2.00	30	10	1.74	1.42	1.40	8.20
01576	M 1.80	0.350	2.00	30	10	1.84	1.52	1.50	8.20
01577	M 2.00	0.400	3.00	35	13	2.07	1.68	1.65	8.90
01578	M 2.20	0.450	3.00	35	13	2.27	1.84	1.80	8.90
01579	M 2.30	0.400	3.00	35	13	2.37	1.98	1.95	8.90
01580	M 2.40	0.450	3.00	40	15	2.47	2.04	2.00	8.90
01581	M 2.50	0.450	3.00	40	15	2.57	2.14	2.10	8.90
01582	M 2.60	0.450	3.00	40	15	2.67	2.24	2.20	8.90
01583	M 3.00	0.500	4.00	40	16	3.09	2.60	2.50	10.30
01584	M 3.50	0.600	4.00	40	17	3.59	3.01	2.90	10.30
01585	M 4.00	0.700	5.00	50	20	4.10	3.42	3.30	11.80
01586	M 4.50	0.750	5.00	50	20	4.60	3.87	3.75	11.80
01587	M 5.00	0.800	6.00	55	25	5.10	4.35	4.20	13.20
01589	M 6.00	1.000	6.00	55	25	6.12	5.15	5.00	13.20

Conditions of sale: Discount or increase vary depending on the quantity and the shaft diameter of identical item per order.

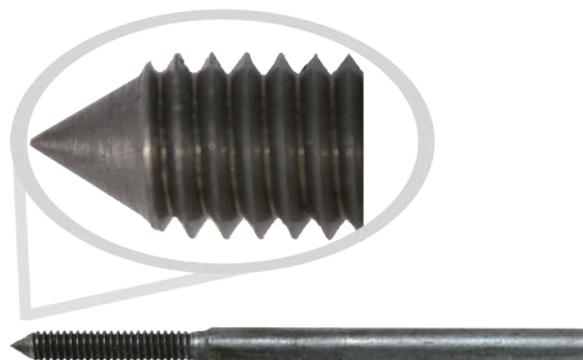
	1.00 - 2.00	3.00	4.00	5.00 - 6.00	condition (%)
Quantity (pieces)	1 - 19	1 - 9	1 - 4	1	+ 30
	20 - 99	10 - 49	5 - 24	2 - 9	net
	100 - 199	50 - 99	25 - 49	10 - 19	- 20
	200 and more	100 and more	50 and more	20 and more	- 30



## ASCO ebauche Tap

for horology and equipment  
high-speed hardened steel

To push away a burr, polish or control the pitch holding.



REF.	Ø NOMINAL	PITCH	Ø SHAFT	L TOTAL	L USEFUL	Ø EXTERNAL	PRICE
01620	0.30	0.080	1.00	22	2.0	0.30	17.20
01621	0.35	0.090	1.00	22	2.0	0.35	17.20
01622	0.40	0.100	1.00	22	2.5	0.40	14.30
01623	0.50	0.125	1.00	22	3.0	0.50	14.30
01624	0.60	0.150	1.00	22	3.5	0.60	11.50
01625	0.70	0.175	1.50	25	4.5	0.70	7.50
01626	0.80	0.200	1.50	25	5.0	0.80	7.50
01627	0.90	0.225	1.50	25	5.5	0.90	7.50
01628	1.00	0.250	1.50	25	6.0	1.00	7.50
01629	1.10	0.250	1.50	25	7.0	1.10	7.50
01630	1.20	0.250	1.50	25	7.0	1.20	7.50
01631	1.30	0.300	1.50	25	8.0	1.30	7.50
01632	1.40	0.300	2.00	30	8.5	1.40	7.90
01633	1.50	0.300	2.00	30	10	1.50	7.90
01634	1.60	0.350	2.00	30	10	1.60	7.90
01635	1.70	0.350	2.00	30	10	1.70	7.90
01636	1.80	0.350	2.00	30	10	1.80	7.90
01637	2.00	0.400	3.00	35	13	2.00	8.60
01638	2.20	0.450	3.00	35	13	2.20	8.60
01639	2.30	0.400	3.00	35	13	2.30	8.60
01640	2.40	0.450	3.00	40	15	2.40	8.60
01641	2.50	0.450	3.00	40	15	2.50	8.60
01642	2.60	0.450	3.00	40	15	2.60	8.60
01643	3.00	0.500	4.00	40	16	3.00	10.00
01644	3.50	0.600	4.00	40	17	3.50	10.00
01645	4.00	0.700	5.00	50	20	4.00	11.50
01646	4.50	0.750	5.00	50	20	4.50	11.50
01647	5.00	0.800	6.00	55	25	5.00	12.90
01649	6.00	1.000	6.00	55	25	6.00	12.90

Conditions of sale: Discount or increase vary depending on the quantity and the shaft diameter of identical item per order.

	1.00 - 2.00	3.00	4.00	5.00 - 6.00	condition (%)
Quantity (pieces)	1 - 19	1 - 9	1 - 4	1	+ 30
	20 - 99	10 - 49	5 - 24	2 - 9	net
	100 - 199	50 - 99	25 - 49	10 - 19	- 20
	200 and more	100 and more	50 and more	20 and more	- 30



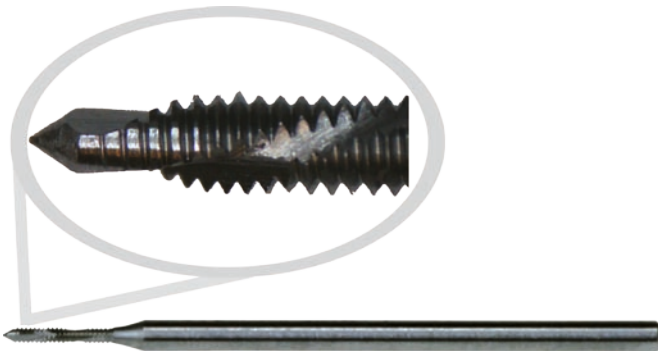
# Schurch Asco SA



*Partenaire et Savoir-faire*

AV. DU 1ER MARS 33, CP 3052  
CH-2001 NEUCHÂTEL  
SWITZERLAND

PHONE : +41 32 724 3434  
FAX : +41 32 724 3436  
EMAIL : [INFO@SCHURCH-ASCO.COM](mailto:INFO@SCHURCH-ASCO.COM)  
WEB : [WWW.SCHURCH-ASCO.COM](http://WWW.SCHURCH-ASCO.COM)



## ASCO Tap for HAUSER 570

for horology and equipment

Long shaft execution

10 / 3G NIHS

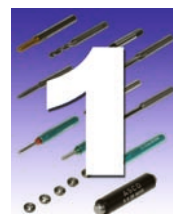
For brass, traversing holes with 2 helicoidal grooves.  
Helix at left perfectly countersinking the chips towards the front.

E.g.: for the horological plates.

REF.	Ø NOMINAL	PITCH	Ø SHAFT	L TOTAL	L USEFUL	Ø EXTERNAL	Ø DRILLING		PRICE
							STEEL	BRASS	
01700	S 0.30	0.080	1.50	30	2.0	0.32	0.24	0.24	18.60
01701	S 0.35	0.090	1.50	30	2.0	0.37	0.28	0.28	18.60
01702	S 0.40	0.100	1.50	30	2.5	0.42	0.33	0.32	15.80
01704	S 0.50	0.125	1.50	30	3.0	0.52	0.43	0.40	15.80
01705	S 0.60	0.150	1.50	30	3.5	0.63	0.51	0.49	12.90
01706	S 0.70	0.175	1.50	30	4.5	0.73	0.59	0.57	8.90
01707	S 0.80	0.200	1.50	30	5.0	0.83	0.67	0.65	8.90
01708	S 0.90	0.225	1.50	30	5.5	0.93	0.75	0.73	8.90
01709	S 1.00	0.250	1.50	30	6.0	1.04	0.83	0.81	8.90
01710	S 1.10	0.250	1.50	30	7.0	1.14	0.93	0.91	8.90
01711	S 1.20	0.250	1.50	30	7.0	1.24	1.03	1.01	8.90
01712	S 1.30	0.300	1.50	30	8.0	1.34	1.09	1.07	8.90
01713	S 1.40	0.300	2.00	30	8.5	1.44	1.19	1.17	9.30
01714	S 1.50	0.300	2.00	30	10	1.54	1.29	1.27	9.30
01715	M 1.60	0.350	2.00	30	10	1.64	1.32	1.30	9.30
01716	M 1.70	0.350	2.00	30	10	1.74	1.42	1.40	9.30
01717	M 1.80	0.350	2.00	30	10	1.84	1.52	1.50	9.30
01718	M 2.00	0.400	3.00	35	13	2.07	1.68	1.65	10.00
01719	M 2.20	0.450	3.00	35	13	2.27	1.84	1.80	10.00
01720	M 2.30	0.400	3.00	35	13	2.37	1.98	1.95	10.00
01721	M 2.40	0.450	3.00	40	15	2.47	2.04	2.00	10.00
01722	M 2.50	0.450	3.00	40	15	2.57	2.14	2.10	10.00
01723	M 2.60	0.450	3.00	40	15	2.67	2.24	2.20	10.00
01724	M 3.00	0.500	4.00	40	16	3.09	2.60	2.50	11.50
01725	M 3.50	0.600	4.00	40	17	3.59	3.01	2.90	11.50
01726	M 4.00	0.700	5.00	50	20	4.10	3.42	3.30	12.90
01727	M 4.50	0.750	5.00	50	20	4.60	3.87	3.75	12.90
01728	M 5.00	0.800	6.00	55	25	5.10	4.35	4.20	14.30
01730	M 6.00	1.000	6.00	55	25	6.12	5.15	5.00	14.30

Conditions of sale: Discount or increase vary depending on the quantity and the shaft diameter of identical item per order.

	1.00 - 2.00	3.00	4.00	5.00 - 6.00	condition (%)
Quantity (pieces)	1 - 19	1 - 9	1 - 4	1	+ 30
	20 - 99	10 - 49	5 - 24	2 - 9	net
	100 - 199	50 - 99	25 - 49	10 - 19	- 20
	200 and more	100 and more	50 and more	20 and more	- 30



## Push away Tap ROLL-STAR

For stainless steel, soft brass (not suitable for normal brass), A 61 brass, copper, silver, aluminium, gold, etc.

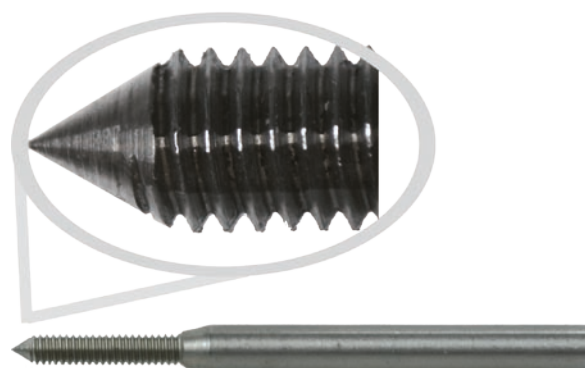
On demand execution in 4HX, 5HX, 6HX, 5G, 6G.

Threading : NIHS

Tolerance : 3GX

H5 core: brass

H6 core: steel



Ref.	Ø NOMINAL	Ø SHAFT	L TOTAL	L USEFUL	Ø EXTERNAL	Ø DRILLING	Ø H5 CORE	Ø H6 CORE	Price
00858	S 0.40 x 0.100	1.5	25	2.0	0.42	0.35 - 0.37	0.330	0.342	17.20
00859	S 0.50 x 0.125	1.5	25	2.5	0.52	0.44 - 0.46	0.415	0.435	14.30
00860	S 0.60 x 0.150	1.5	25	3.0	0.63	0.53 - 0.55	0.502	0.522	14.30
00861	S 0.70 x 0.175	1.5	25	4.0	0.73	0.62 - 0.64	0.585	0.605	10.00
00862	S 0.80 x 0.200	1.5	25	4.0	0.83	0.70 - 0.72	0.665	0.685	10.00
00863	S 0.90 x 0.225	1.5	25	4.0	0.93	0.80 - 0.82	0.745	0.765	10.00
00864	S 1.00 x 0.250	1.5	25	5.0	1.04	0.90 - 0.93	0.825	0.845	10.00
00865	S 1.10 x 0.250	1.5	25	5.0	1.14	1.00 - 1.03	0.925	0.945	10.00
00866	S 1.20 x 0.250	1.5	25	5.0	1.24	1.10 - 1.13	1.025	1.045	10.00
00867	S 1.30 x 0.300	1.5	25	6.0	1.34	1.15 - 1.18	1.085	1.105	10.00
00868	S 1.40 x 0.300	2.0	30	6.0	1.44	1.25 - 1.28	1.185	1.205	10.80
00869	S 1.50 x 0.300	2.0	30	6.0	1.54	1.35 - 1.38	1.285	1.305	10.80
00870	M 1.60 x 0.350	2.0	30	8.0	1.64	1.45 - 1.48	1.221	0+100	10.80
00871	M 1.70 x 0.350	2.0	30	8.0	1.74	1.55 - 1.58	1.321	0+100	10.80
00872	M 1.80 x 0.350	2.0	30	8.0	1.84	1.65 - 1.68	1.421	0+100	10.80
00873	M 2.00 x 0.400	3.0	35	10	2.07	1.80 - 1.83	1.567	0+112	11.50
00874	M 2.20 x 0.450	3.0	35	10	2.28	2.00 - 2.03	1.713	0+125	11.50
00875	M 2.30 x 0.400	3.0	35	10	2.37	2.10 - 2.13	1.367	0+100	11.50
00876	M 2.50 x 0.450	3.0	35	10	2.57	2.30 - 2.33	2.013	0+125	11.50
00877	M 2.60 x 0.450	3.0	35	10	2.67	2.40 - 2.43	2.113	0+125	11.50
00878	M 3.00 x 0.500	4.0	40	12	3.09	2.75 - 2.78	2.459	0+140	12.90
00941	M 3.50 x 0.600	4.0	40	12	3.59	3.20 - 3.23	2.850	0+160	12.90
00942	M 4.00 x 0.700	5.0	50	16	4.10	3.65 - 3.68	3.242	0+180	14.30
00943	M 4.50 x 0.750	5.0	50	16	4.60	4.15 - 4.18	3.688	0+190	14.30

Conditions of sale: Discount or increase vary depending on the quantity and the shaft diameter of identical item per order.

	1.00 - 2.00	3.00	4.00	5.00 - 6.00	condition (%)
Quantity (pieces)	1 - 19	1 - 9	1 - 4	1	+ 30
	20 - 99	10 - 49	5 - 24	2 - 9	net
	100 - 199	50 - 99	25 - 49	10 - 19	- 20
	200 and more	100 and more	50 and more	20 and more	- 30





# Schurch Asco SA



*Partenaire et Savoir-faire*

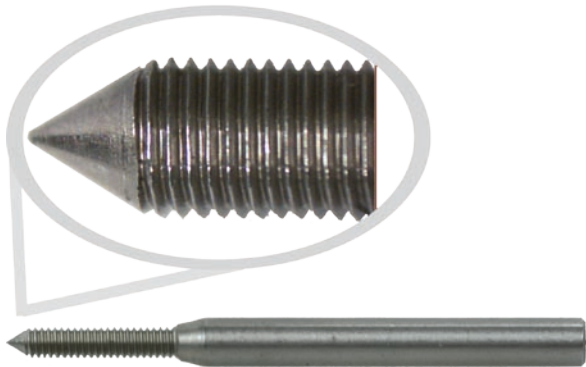
AV. DU 1ER MARS 33, CP 3052  
CH-2001 NEUCHÂTEL  
SWITZERLAND

PHONE : +41 32 724 3434

FAX : +41 32 724 3436

EMAIL : [INFO@SCHURCH-ASCO.COM](mailto:INFO@SCHURCH-ASCO.COM)

WEB : [WWW.SCHURCH-ASCO.COM](http://WWW.SCHURCH-ASCO.COM)



## Push away Tap **ROLL-STAR** Special profiles with fine pitch

For steel, through or blind holes with 3 straight grooves.  
Good resistance to breakage. For lathe (automatic lathe) and tapping machine.

Thread MF DIN 13 Fine pitch

ISO 1 Tolerance: Step 0.08 => 1.00 ISO1 (4H)

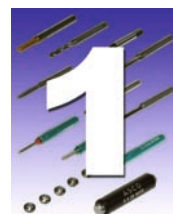
ISO 2 Tolerance: Step 0.08 => 0.225 ISO2 (5H)

ISO 2 Tolerance: Step 0.25 => 1.00 ISO2 (6H)

REF.	Ø NOMINAL	PITCH	Ø EXTERNAL	Ø SHAFT	L TOTAL	L USEFUL	Ø DRILLING	Ø core	PRICE
16844	M 1.00	0.15	1.03	1.50	25	6	0.93 - 0.95	0.85	17.20
16845	M 1.00	0.20	1.03	1.50	25	6	0.90 - 0.92	0.80	17.20
16846	M 1.20	0.20	1.23	1.50	25	7	1.10 - 1.12	1.00	14.30
16847	M 1.20	0.15	1.23	1.50	25	7	1.13 - 1.15	1.05	14.30
16848	M 1.40	0.20	1.43	2.00	30	8.5	1.30 - 1.32	1.20	14.30
16849	M 1.40	0.25	1.44	2.00	30	8.5	1.28 - 1.30	1.15	14.30
16838	M 1.60	0.20	1.63	2.00	30	10	1.50 - 1.52	1.40	14.30
16839	M 1.60	0.25	1.64	2.00	30	10	1.48 - 1.50	1.35	14.30
16840	M 1.80	0.20	1.83	2.00	30	10	1.70 - 1.72	1.60	14.30
16841	M 1.80	0.25	1.84	2.00	30	10	1.68 - 1.70	1.55	14.30
16842	M 2.00	0.20	2.03	3.00	35	13	1.90 - 1.92	1.80	17.20
16843	M 2.00	0.25	2.04	3.00	35	13	1.88 - 1.90	1.75	17.20

Conditions of sale: Discount or increase vary depending on the quantity and the shaft diameter of identical item per order.

	1.00 - 2.00	3.00	4.00	5.00 - 6.00	condition (%)
Quantity (pieces)	1 - 19	1 - 9	1 - 4	1	+ 30
	20 - 99	10 - 49	5 - 24	2 - 9	net
	100 - 199	50 - 99	25 - 49	10 - 19	- 20
	200 et +	100 et +	50 et +	20 et +	- 30



## Push away Tap **ROLL - WC/C**

For stainless steel, soft brass, A 61 brass, copper, silver, aluminium, gold, etc.

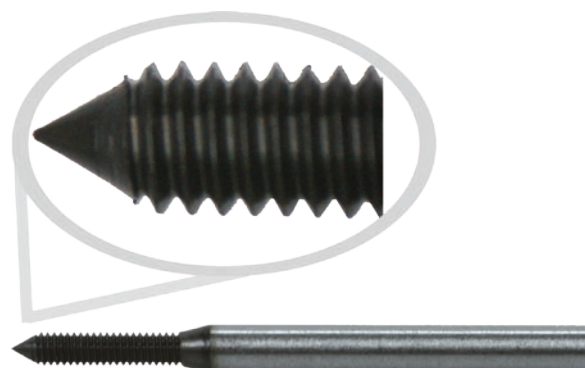
On demand execution in 4HX, 5HX, 6HX, 5G, 6G.

Threading : NIHS

Tolerance : 3GX

H5 core: brass

H6 core: steel



REF.	Ø NOMINAL	PITCH	Ø SHAFT	L TOTAL	L USEFUL	Ø EXTERNAL	Ø DRILLING	Ø H5 CORE	Ø H6 CORE	PRICE
00880	S 0.40	0.100	1.50 mm	25	2.0	0.42	0.35 - 0.37	0.330	0.342	23.30
00881	S 0.50	0.125	1.50 mm	25	2.5	0.52	0.44 - 0.46	0.415	0.435	23.30
00882	S 0.60	0.150	1.50 mm	25	3.0	0.63	0.53 - 0.55	0.502	0.522	23.30
00883	S 0.70	0.175	1.50 mm	25	4.0	0.73	0.62 - 0.64	0.585	0.605	19.00
00884	S 0.80	0.200	1.50 mm	25	4.0	0.83	0.70 - 0.72	0.665	0.685	19.00
00885	S 0.90	0.225	1.50 mm	25	4.0	0.93	0.80 - 0.82	0.745	0.765	19.00
00886	S 1.00	0.250	1.50 mm	25	5.0	1.04	0.90 - 0.93	0.825	0.845	19.00
00887	S 1.10	0.250	1.50 mm	25	5.0	1.14	1.00 - 1.03	0.925	0.945	19.00
00888	S 1.20	0.250	1.50 mm	25	5.0	1.24	1.10 - 1.13	1.025	1.045	19.00
00889	S 1.30	0.300	1.50 mm	25	6.0	1.34	1.15 - 1.18	1.085	1.105	19.00
00890	S 1.40	0.300	2.00 mm	30	6.0	1.44	1.25 - 1.28	1.185	1.205	19.80
00891	S 1.50	0.300	2.00 mm	30	6.0	1.54	1.35 - 1.38	1.285	1.305	19.80
00892	M 1.60	0.350	2.00 mm	30	8.0	1.64	1.45 - 1.48	1.221	0+100	19.80
00893	M 2.00	0.400	3.00 mm	35	10	2.07	1.80 - 1.83	1.567	0+112	21.90
00894	M 2.20	0.450	3.00 mm	35	10	2.28	2.00 - 2.03	1.713	0+125	21.90
00895	M 2.30	0.400	3.00 mm	35	10	2.37	2.10 - 2.13	1.367	0+100	21.90
00896	M 2.50	0.450	3.00 mm	35	10	2.57	2.30 - 2.33	2.013	0+125	21.90
00897	M 2.60	0.450	3.00 mm	35	10	2.67	2.40 - 2.43	2.113	0+125	21.90
00898	M 3.00	0.500	4.00 mm	40	12	3.09	2.75 - 2.78	2.459	0+140	21.90

Conditions of sale: Discount or increase vary depending on the quantity and the shaft diameter of identical item per order.

	1.00 - 2.00	3.00	4.00	5.00 - 6.00	condition (%)
Quantity (pieces)	1 - 19	1 - 9	1 - 4	1	+ 30
	20 - 99	10 - 49	5 - 24	2 - 9	net
	100 - 199	50 - 99	25 - 49	10 - 19	- 20
	200 and more	100 and more	50 and more	20 and more	- 30



# Schurch Asco SA

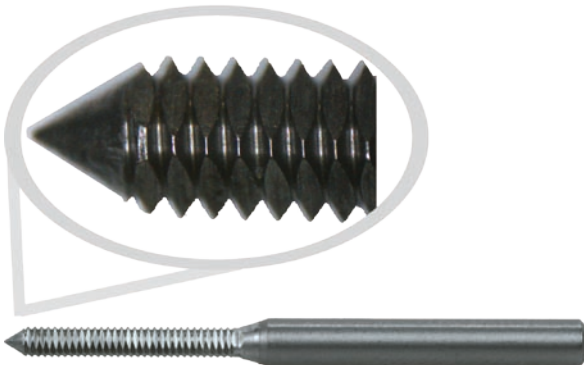


*Partenaire et Savoir-faire*

AV. DU 1ER MARS 33, CP 3052  
CH-2001 NEUCHÂTEL  
SWITZERLAND

PHONE : +41 32 724 3434  
FAX : +41 32 724 3436  
EMAIL : [INFO@SCHURCH-ASCO.COM](mailto:INFO@SCHURCH-ASCO.COM)  
WEB : [WWW.SCHURCH-ASCO.COM](http://WWW.SCHURCH-ASCO.COM)

## Push away Tap FORMER



Threading: NIHS  
Tolerance: 3GX  
Entrance length: 1.5 threads

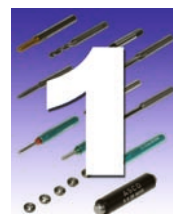
Recommended for 20 AP and stainless steel.

H5 core: brass  
H6 core: steel

REF.	Ø NOMINAL	Ø SHAFT	L TOTAL	L USEFUL	Ø EXTERNAL	Ø DRILLING	Ø H5 CORE	Ø H6 CORE	PRICE
00907	S 0.30 x 0.080 / 3GX	1.00	22	2.0	0.32	0.27 - 0.29	0.240	0.240	17.20
00908	S 0.35 x 0.090 / 3GX	1.00	22	2.0	0.37	0.31 - 0.33	0.286	0.286	17.20
00909	S 0.40 x 0.100 / 3GX	1.00	22	2.5	0.42	0.35 - 0.37	0.330	0.342	17.20
00910	S 0.50 x 0.125 / 3GX	1.00	22	3.0	0.52	0.44 - 0.46	0.415	0.435	17.20
00911	S 0.60 x 0.150 / 3GX	1.00	22	3.5	0.63	0.53 - 0.55	0.502	0.522	17.20
00912	S 0.70 x 0.175 / 3GX	1.50	25	4.5	0.73	0.62 - 0.64	0.585	0.605	8.90
00913	S 0.80 x 0.200 / 3GX	1.50	25	5.0	0.83	0.70 - 0.72	0.665	0.685	8.90
00914	S 0.90 x 0.225 / 3GX	1.50	25	5.5	0.93	0.80 - 0.82	0.745	0.765	8.90
00915	S 1.00 x 0.250 / 3GX	1.50	25	6.0	1.04	0.90 - 0.93	0.825	0.845	8.90
00916	S 1.10 x 0.250 / 3GX	1.50	25	7.0	1.14	1.00 - 1.03	0.925	0.945	8.90
00917	S 1.20 x 0.250 / 3GX	1.50	25	7.0	1.24	1.10 - 1.13	1.025	1.045	8.90
00918	S 1.30 x 0.300 / 3GX	1.50	25	8.0	1.34	1.15 - 1.18	1.085	1.105	8.90
00919	S 1.40 x 0.300 / 3GX	2.00	30	8.5	1.44	1.25 - 1.28	1.185	1.205	8.90
00920	S 1.50 x 0.300 / 3GX	2.00	30	10.0	1.54	1.35 - 1.38	1.285	1.305	8.90
00921	M 1.60 x 0.350 / 3GX	2.00	30	10.0	1.64	1.45 - 1.48	1.221	0+100	8.90
00922	M 1.70 x 0.350 / 3GX	2.00	30	10.0	1.74	1.55 - 1.58	1.321	0+100	8.90
00923	M 1.80 x 0.350 / 3GX	2.00	30	10.0	1.84	1.65 - 1.68	1.421	0+100	8.90
00924	M 2.00 x 0.400 / 3GX	3.00	35	13.0	2.07	1.80 - 1.83	1.567	0+112	10.00
00925	M 2.20 x 0.450 / 3GX	3.00	35	13.0	2.27	2.00 - 2.03	1.713	0+125	10.00
00926	M 2.30 x 0.400 / 3GX	3.00	35	13.0	2.37	2.10 - 2.13	1.367	0+100	10.00
00927	M 2.50 x 0.450 / 3GX	3.00	40	15.0	2.47	2.30 - 2.33	2.013	0+125	10.00
00928	M 2.60 x 0.450 / 3GX	3.00	40	15.0	2.57	2.40 - 2.43	2.113	0+125	10.00
00929	M 3.00 x 0.500 / 3GX	4.00	40	16.0	2.67	2.75 - 2.78	2.459	0+140	11.50
00930	M 3.50 x 0.600 / 3GX	4.00	40	17.0	3.09	3.20 - 3.23	2.850	0+160	11.50
00931	M 4.00 x 0.700 / 3GX	4.00	40	20.0	3.59	3.65 - 3.68	3.242	0+180	12.90
00932	M 4.50 x 0.750 / 3GX	5.00	50	20.0	4.10	4.15 - 4.18	3.688	0+190	12.90
00933	M 5.00 x 0.800 / 3GX	6.00	50	25.0	4.60	4.60 - 4.63	4.134	0+200	12.90
00934	M 5.50 x 0.900 / 3GX	6.00	55	25.0	5.10	5.10 - 5.13			12.90
00935	M 6.00 x 1.000 / 3GX	6.00	55	25.0	6.12	5.50 - 5.53			14.30

Conditions of sale: Discount or increase vary depending on the quantity and the shaft diameter of identical item per order.

	1.00 - 2.00	3.00	4.00	5.00 - 6.00	condition (%)
Quantity (pieces)	1 - 19	1 - 9	1 - 4	1	+ 30
	20 - 99	10 - 49	5 - 24	2 - 9	net
	100 - 199	50 - 99	25 - 49	10 - 19	- 20
	200 and more	100 and more	50 and more	20 and more	- 30



## Push away Tap FORMER WC/C

Threading: NIHS  
Tolerance: 3GX  
Entrance length: 1.5 threads

Recommended for 20 AP and stainless steel.

H5 core: brass

H6 core: steel



REF.	Ø NOMINAL	Ø SHAFT	L TOTAL	L USEFUL	Ø EXTERNAL	Ø DRILLING	Ø H5 CORE	Ø H6 CORE	PRICE
00976	S 0.30 x 0.080 / 3GX	1.00	22	2.0	0.32	0.27 - 0.29	0.240	0.240	26.15
00977	S 0.35 x 0.090 / 3GX	1.00	22	2.0	0.37	0.31 - 0.33	0.286	0.286	26.15
00978	S 0.40 x 0.100 / 3GX	1.00	22	2.5	0.42	0.35 - 0.37	0.330	0.342	26.15
00979	S 0.50 x 0.125 / 3GX	1.00	22	3.0	0.52	0.44 - 0.46	0.415	0.435	26.15
00980	S 0.60 x 0.150 / 3GX	1.00	22	3.5	0.63	0.53 - 0.55	0.502	0.522	26.15
00981	S 0.70 x 0.175 / 3GX	1.50	25	4.5	0.73	0.62 - 0.64	0.585	0.605	17.90
00982	S 0.80 x 0.200 / 3GX	1.50	25	5.0	0.83	0.70 - 0.72	0.665	0.685	17.90
00983	S 0.90 x 0.225 / 3GX	1.50	25	5.5	0.93	0.80 - 0.82	0.745	0.765	17.90
00984	S 1.00 x 0.250 / 3GX	1.50	25	6.0	1.04	0.90 - 0.93	0.825	0.845	17.90
00985	S 1.10 x 0.250 / 3GX	1.50	25	7.0	1.14	1.00 - 1.03	0.925	0.945	17.90
00986	S 1.20 x 0.250 / 3GX	1.50	25	7.0	1.24	1.10 - 1.13	1.025	1.045	17.90
00987	S 1.30 x 0.300 / 3GX	1.50	25	8.0	1.34	1.15 - 1.18	1.085	1.105	17.90
00988	S 1.40 x 0.300 / 3GX	2.00	30	8.5	1.44	1.25 - 1.28	1.185	1.205	19.00
00989	S 1.50 x 0.300 / 3GX	2.00	30	10.0	1.54	1.35 - 1.38	1.285	1.305	19.00
00990	M 1.60 x 0.350 / 3GX	2.00	30	10.0	1.64	1.45 - 1.48	1.221	0+100	19.00
00991	M 1.70 x 0.350 / 3GX	2.00	30	10.0	1.74	1.55 - 1.58	1.321	0+100	19.00
00992	M 1.80 x 0.350 / 3GX	2.00	30	10.0	1.84	1.65 - 1.68	1.421	0+100	19.00
00993	M 2.00 x 0.400 / 3GX	3.00	35	13.0	2.07	1.80 - 1.83	1.567	0+112	21.90
00994	M 2.20 x 0.450 / 3GX	3.00	35	13.0	2.28	2.00 - 2.03	1.713	0+125	21.90
00995	M 2.30 x 0.400 / 3GX	3.00	35	13.0	2.37	2.10 - 2.13	1.367	0+100	21.90
00996	M 2.50 x 0.450 / 3GX	3.00	40	15.0	2.57	2.30 - 2.33	2.013	0+125	21.90
00997	M 2.60 x 0.450 / 3GX	3.00	40	15.0	2.67	2.40 - 2.43	2.113	0+125	21.90
00998	M 3.00 x 0.500 / 3GX	4.00	40	16.0	3.09	2.75 - 2.78	2.459	0+140	21.90

Conditions of sale: Discount or increase vary depending on the quantity and the shaft diameter of identical item per order.

	1.00 - 2.00	3.00	4.00	5.00 - 6.00	condition (%)
Quantity (pieces)	1 - 19	1 - 9	1 - 4	1	+ 30
	20 - 99	10 - 49	5 - 24	2 - 9	net
	100 - 199	50 - 99	25 - 49	10 - 19	- 20
	200 and more	100 and more	50 and more	20 and more	- 30





# Schurch Asco SA



*Partenaire et Savoir-faire*

AV. DU 1ER MARS 33, CP 3052  
CH-2001 NEUCHÂTEL  
SWITZERLAND

PHONE : +41 32 724 3434

FAX : +41 32 724 3436

EMAIL : [INFO@SCHURCH-ASCO.COM](mailto:INFO@SCHURCH-ASCO.COM)

WEB : [WWW.SCHURCH-ASCO.COM](http://WWW.SCHURCH-ASCO.COM)

## Push away Tap HI-ROLL

TYPE : NRT-OX

TYPE : W396046.9 HSS



Helical Polygon Profile

Surface treatment .9 = OX = steam

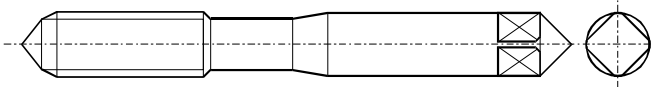
(on request B = without treatment)

Tolerance: 4HX / 5HX / 6HX / RH2 / RH3

Inlet length: 1.5 threads / NRT-OX 2.5X

Recommended for:

**AUTOMATON STEEL 500 N/MM2 VC 16/20 M/MIN.**  
**STAINLESS STEEL 850 N/MM2 VC 5/8 M/MIN.**

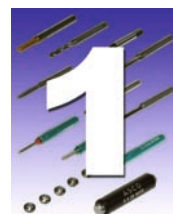


REF.	Ø NOMINAL	Ø SHAFT	L TOTAL	L USEFUL	Ø DRILLING	PRICE
02269	M 0.50 X 0.125 / 4HX	1.5	20	2.0	0.43 - 0.44	67.50
02270	M 0.60 X 0.150 / 4HX	1.5	20	2.0	0.52 - 0.54	34.50
02271	M 0.70 X 0.175 / RH2 / NRT	3.0	30	2.2	0.60	33.90
02272	M 0.80 X 0.200 / 4HX	1.5	20	2.6	0.70 - 0.72	28.00
02273	M 0.90 X 0.225 / 4HX	1.5	20	3.0	0.78 - 0.80	24.80
02274	M 1.00 X 0.250 / RH3 / NRT	3.0	30	6.0	0.88	21.60
02275	M 1.20 X 0.250 / 5HX	3.0	32	6.0	1.09 - 1.11	19.70
02276	M 1.40 X 0.300 / 5HX	3.0	34	6.5	1.27 - 1.29	18.00
02277	M 1.60 X 0.350 / 6HX	3.0	36	7.0	1.45 - 1.47	17.50
02278	M 1.70 X 0.350 / 6HX	3.0	36	8.0	1.55 - 1.57	19.10
02279	M 1.80 X 0.350 / 6HX	3.0	36	8.0	1.65 - 1.67	19.10
02280	M 2.00 X 0.400 / 6HX	3.0	40	9.0	1.82 - 1.84	15.80
02283	M 2.50 X 0.450 / 6HX	3.0	44	11.0	2.31 - 2.34	13.80
02285	M 3.00 X 0.500 / 6HX	4.0	46	18.0	2.78 - 2.81	17.00

Conditions of sale: Discount of 5% for 10 identical items.

22 Screw-plates and Taps

March 2024



## Machine micro-Tap

1712 R

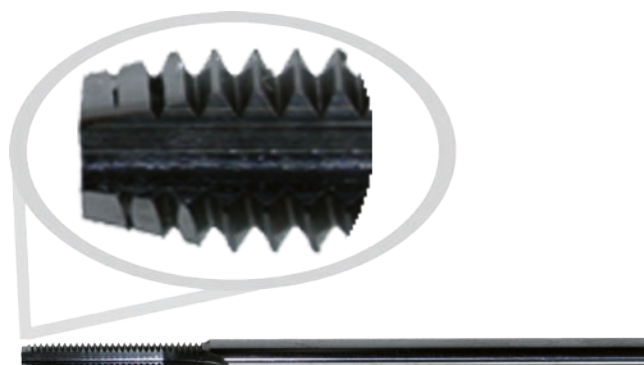
Monoblock carbide

Threading according to NIHS

Shaft tolerance: h6

Recommended for non ferrous materials easy to manufacture.

Traversing holes and blind with three right grooves.



REF.	TOLERANCE	NIHS	PITCH	Ø SHAFT	L TOTAL	L USEFUL	GROOVES	Ø DRILLING		PRICE
								STEEL	BRASS	
09961	NIHS-3G	S 0.30	0.080	1.5	30	1.00	3	0.240	0.230	56.90
09962	NIHS-3G	S 0.35	0.090	1.5	30	1.50	3	0.280	0.280	56.90
09963	NIHS-3G	S 0.40	0.100	1.5	30	2.0	3	0.330	0.320	56.90
09964	NIHS-3G +	S 0.40	0.100	1.5	30	2.50	3	0.330	0.320	56.90
09965	NIHS-3G	S 0.50	0.125	1.5	30	2.50	3	0.430	0.400	54.30
09966	NIHS-3G +	S 0.50	0.125	1.5	30	3.50	3	0.430	0.400	54.30
09967	NIHS-3G	S 0.60	0.150	1.5	30	3.00	3	0.510	0.490	51.60
09968	NIHS-3G +	S 0.60	0.150	1.5	30	4.00	3	0.510	0.490	51.60
09969	NIHS-3G	S 0.70	0.175	1.5	30	3.00	3	0.590	0.570	48.90
09970	NIHS-3G +	S 0.70	0.175	1.5	30	4.00	3	0.590	0.570	48.90
09972	NIHS-3G	S 0.80	0.200	1.5	30	3.50	3	0.670	0.650	48.90
09973	NIHS-3G +	S 0.80	0.200	1.5	30	4.00	3	0.670	0.650	48.90
09975	NIHS-3G	S 0.90	0.225	1.5	30	4.00	3	0.750	0.730	48.90
09976	NIHS-3G +	S 0.90	0.225	1.5	30	4.00	3	0.750	0.730	48.90
09978	NIHS-3G	S 1.00	0.250	1.5	30	4.00	3	0.830	0.810	48.90
09979	NIHS-3G +	S 1.00	0.250	1.5	30	4.00	3	0.830	0.810	48.90
09981	NIHS-3G	S 1.20	0.250	1.5	30	5.00	3	1.030	1.010	48.90
09984	NIHS-3G	S 1.40	0.300	1.5	30	5.00	3	1.190	1.170	48.90
09986	ISO2 6H	M 1.50	0.300	2.0	38	6.00	3	1.280	1.260	51.60
09987	ISO2 6H	M 2.00	0.400	2.5	43	11.00	3	1.680	1.650	54.30

Conditions of sale: Discount by quantity:

5% for 10 identical pieces  
10% for 30 identical pieces  
15% for 50 identical pieces



# Schurch Asco SA



*Partenaire et Savoir-faire*

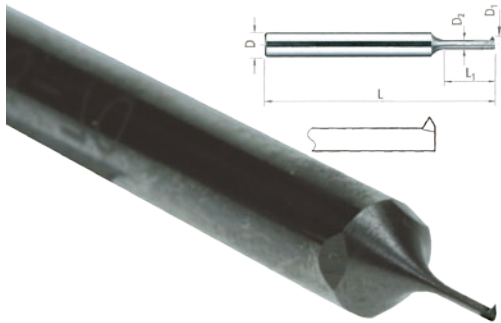
AV. DU 1ER MARS 33, CP 3052  
CH-2001 NEUCHÂTEL  
SWITZERLAND

PHONE : +41 32 724 3434

FAX : +41 32 724 3436

EMAIL : [INFO@SCHURCH-ASCO.COM](mailto:INFO@SCHURCH-ASCO.COM)

WEB : [WWW.SCHURCH-ASCO.COM](http://WWW.SCHURCH-ASCO.COM)

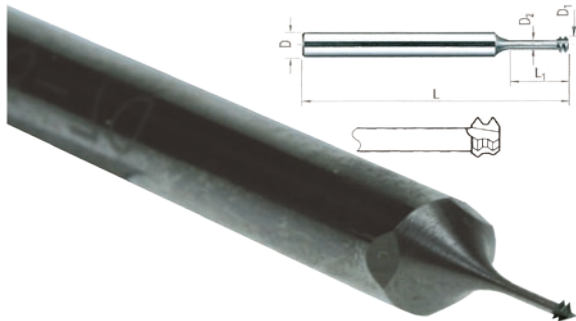


## Whirling Milling-Cutter Partial profile

**1739 Z1, CARBIDE**

For stainless steel, A 61 brass, soft brass (not suitable for normal brass), copper, silver, aluminium, gold, etc.  
Shaft diameter: 3 mm  
Length L = 38 mm  
Core tolerance = h6

REF.	Ø THREADING	PITCH	Ø DRILLING	D1	D <sup>H5</sup>	L1	L	D2	PRICE
16140	S 0.30	0.080	0.23	0.21	3	0.70	38	0.12	62.20
16141	S 0.40	0.100	0.32	0.29	3	0.90	38	0.18	62.20
16142	S 0.50	0.125	0.40	0.37	3	1.20	38	0.23	62.20
16143	S 0.60	0.150	0.48	0.44	3	1.50	38	0.27	62.20
16144	S 0.70	0.175	0.56	0.52	3	1.80	38	0.32	56.70
16145	S 0.80	0.200	0.64	0.59	3	2.00	38	0.36	56.70
16146	S 0.90	0.225	0.72	0.67	3	2.20	38	0.41	56.70
16147	S 1.00	0.250	0.80	0.74	3	2.40	38	0.46	56.70
16148	S 1.20	0.250	1.00	0.94	3	3.00	38	0.66	56.70
16149	S 1.40	0.300	1.15	1.08	3	3.30	38	0.74	56.70



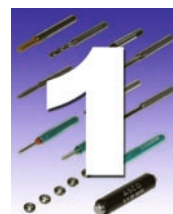
## Whirling Milling-Cutter Full profile

**1730-2D Z3, MD**

For stainless steel, A 61 brass, soft brass (not suitable for normal brass), copper, silver, aluminium, gold, etc.  
Shaft diameter: 3 mm  
Length L = 38 mm  
Core tolerance = h6

Ref.	Ø threading	PITCH	D1	D <sup>H5</sup>	L1	L	D2	PRICE
16150	M 0.90	0.225	0.64	3	2.10	38	0.29	89.40
16151	M 1.00	0.25	0.73	3	2.30	38	0.32	86.40
16152	M 1.20	0.25	0.92	3	2.80	38	0.51	86.40
16153	M 1.40	0.30	1.05	3	3.20	38	0.58	83.60
16154	M 1.60	0.35	1.21	3	3.70	38	0.64	83.60
16155	M 1.80	0.35	1.41	3	4.10	38	0.84	83.60
16156	M 2.00	0.40	1.55	3	4.60	38	1.10	81.60
16157	M 2.20	0.45	1.72	3	5.10	38	0.96	87.30
16158	M 2.50	0.45	2.00	3	5.80	38	1.26	87.30
16159	M 1.80	0.20	1.41	3	4.10	38	1.23	83.60
16160	M 2.20	0.20	1.72	3	5.10	38	1.63	87.30
16161	M 2.50	0.25	2.00	3	5.80	38	1.75	87.30
16162	M 2.50	0.35	2.00	3	5.80	38	1.52	87.30

Conditions of sale: Discount or increase vary depending on the quantity and the shaft diameter of identical item per order.



GAUGE MAXI	GAUGE MINI	Ø NOMINAL	PITCH	Ø SHAFT	PRICE
17620	17600	S 0.30 NT	0.080	4.50	70.00
17621	17601	S 0.35 NT	0.090	4.50	70.00
17622	17602	S 0.40 NT	0.100	4.50	70.00
17623	17603	S 0.50 NT	0.125	4.50	70.00
17624	17604	S 0.60 NT	0.150	4.50	70.00
17625	17605	S 0.70 NT	0.175	4.50	70.00
17626	17606	S 0.80 NT	0.200	4.50	70.00
17627	17607	S 0.90 NT	0.225	4.50	70.00
17628	17608	S 1.00 NT	0.250	4.50	70.00
17629	17609	S 1.10 NT	0.250	4.50	70.00
17630	17610	S 1.20 NT	0.250	4.50	70.00
17631	17611	S 1.30 NT	0.300	4.50	70.00
17632	17612	S 1.40 NT	0.300	4.50	70.00

**RT on request**

### Plug-Gauge NT / RT

Threaded, ASCO high-speed steel  
mini and maxi  
with engraved coated support

Dimension: S 0.30 to M 1.80

Tolerance: NIHS. Special tolerance on demand

maxi = does not pass = red code

mini = passes = green code

Order sample: Plug-Gauge ASCO mini S 0.8 NIHS-NT



GAUGE MAXI	GAUGE MINI	Ø NOMINAL	PITCH	Ø SHAFT	PRICE
02240	01660	S 0.30 3G	0.080	4.50	70.00
02241	01661	S 0.35 3G	0.090	4.50	70.00
02242	01662	S 0.40 3G	0.100	4.50	70.00
02243	01663	S 0.50 3G	0.125	4.50	70.00
02244	01664	S 0.60 3G	0.150	4.50	70.00
02245	01665	S 0.70 3G	0.175	4.50	70.00
02246	01666	S 0.80 3G	0.200	4.50	70.00
02247	01667	S 0.90 3G	0.225	4.50	70.00
02248	01668	S 1.00 3G	0.250	4.50	70.00
02249	01669	S 1.10 3G	0.250	4.50	70.00
02250	01670	S 1.20 3G	0.250	4.50	70.00
02251	01671	S 1.30 3G	0.300	4.50	70.00
02252	01672	S 1.40 3G	0.300	4.50	70.00
02253	01673	S 1.50 3G	0.300	4.50	70.00
02254	01674	M 1.60 6H	0.350	4.50	81.00
02255	01675	M 1.70 6H	0.350	4.50	81.00
02256	01676	M 1.80 6H	0.350	4.50	81.00

**4H on request**

### Plug-Gauge (S)

Threaded, ASCO high-speed steel  
mini and maxi (according to NIHS) 3G / 4H  
with engraved coated support

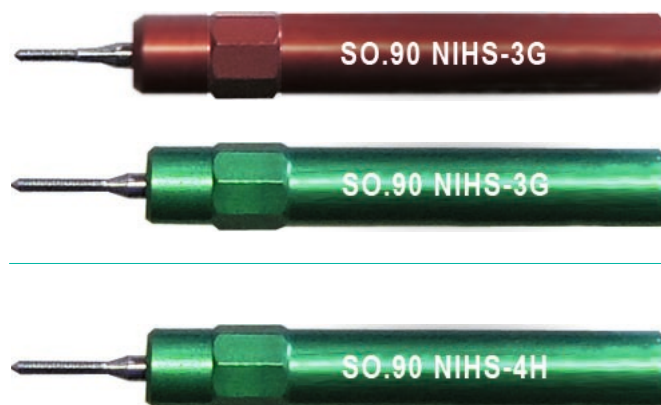
Dimension: S 0.30 to M 1.80

Tolerance: NIHS. Special tolerance on demand

maxi = does not pass = red code

mini = passes = green code

Order sample: Plug-Gauge ASCO mini S 0.9 NIHS-3G







# Schurch Asco SA



*Partenaire et Savoir-faire*

AV. DU 1ER MARS 33, CP 3052  
CH-2001 NEUCHÂTEL  
SWITZERLAND

PHONE : +41 32 724 3434

FAX : +41 32 724 3436

EMAIL : [INFO@SCHURCH-ASCO.COM](mailto:INFO@SCHURCH-ASCO.COM)

WEB : [WWW.SCHURCH-ASCO.COM](http://WWW.SCHURCH-ASCO.COM)

Gauge maxi H5	Gauge maxi H6	For Ø	Ø <sub>shaft</sub>	PRICE
16400	16426	S 0.30 3G	4.50	39.00
16401	16427	S 0.35 3G	4.50	
16402	16414	S 0.40 3G	4.50	
16403	16415	S 0.50 3G	4.50	
16404	16416	S 0.60 3G	4.50	
16405	16417	S 0.70 3G	4.50	
16406	16418	S 0.80 3G	4.50	29.80
16407	16419	S 0.90 3G	4.50	
16408	16420	S 1.00 3G	4.50	
16409	16421	S 1.10 3G	4.50	
16410	16422	S 1.20 3G	4.50	
16411	16423	S 1.30 3G	4.50	
16412	16424	S 1.40 3G	4.50	
16413	16425	S 1.50 3G	4.50	

*Plug-Gauge*  
*Smooth, ASCO high-speed steel*  
*maxi (according to NIHS)*  
*for inspection of the core*  
*H5 brass / H6 steel*

Dimension: S 0.30 to S 1.50

Tolerance : NIHS. Special tolerance on demand

Order example:

10 gauges ASCO maxi S 0.8 red code H5



*Plug-Gauge*  
*Threaded*  
*mini and maxi, NIHS*  
**FRAISA, CARBIDE**

Dimension: S 0.30 à S 1.00

Tolerance : NIHS. Special tolerance on demand

Measure control report on demand.

mini = passes = no code

maxi = does not pass = red code

Order example: 10 gauges FRAISA mini S 0.8 3G



Delivery including a certificate of the precision of the gauges with a protocol of the performed measures is invoiced with a supplement of **Fr. 27.50**.

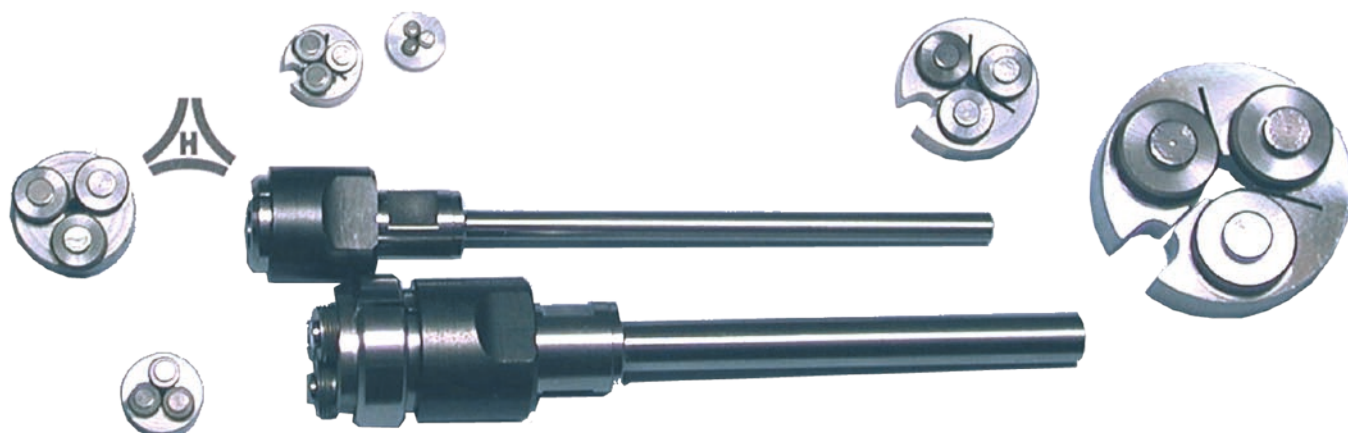
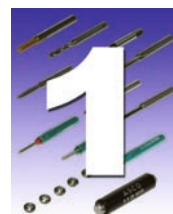
Without specification in the order, the gauge is delivered without attestation

Gauge maxi	Gauge mini	Ø <sub>nominal</sub>	PITCH	Ø <sub>shaft</sub>	PRICE
16700	16720	S 0.30 3G	0.080	3.00	79.00
16701	16721	S 0.35 3G	0.090	3.00	79.00
16702	16722	S 0.40 3G	0.100	3.00	79.00
16703	16723	S 0.50 3G	0.125	3.00	79.00
16704	16724	S 0.60 3G	0.150	3.00	79.00
16705	16725	S 0.70 3G	0.175	3.00	79.00
16706	16726	S 0.80 3G	0.200	3.00	79.00
16707	16727	S 0.90 3G	0.225	3.00	79.00
16708	16728	S 1.00 3G	0.250	3.00	79.00
16729		Control of a gauge after use including the certificate			44.00

Conditions of sale: Discount: 10 % per order of 10 identical pieces

26 Screw-plates and Taps

August 2018



Ref.	Ø nominal	D	H	TYPE	PRICE
16641	0.35	6	2	N6	46.05
16642	0.40	6	2	N6	46.05
16643	0.50	6	3	N6	46.05
16644	0.60	6	3	N6	41.70
16645	0.70	6	3	N6	41.70
16646	0.80	8	5	N8	38.65
16647	0.90	8	5	N8	38.65
16648	1.00	8	5	N8	38.65
16649	1.10	8	5	N8	38.65
16650	1.20	8	5	N8	38.65
16651	1.30	8/10	6	N8	47.45
16652	1.40	8/10	6	N8	47.45
16653	1.50	8/10	6	N8	47.45
16654	1.60	12	6	N12	59.25
16655	1.70	12	6	N12	59.25
16656	1.80	12	6	N12	59.25
16657	2.00	12	6	N12	59.25
16658	2.20	12/16	8	N12	69.45
16659	2.50	12/16	8	N12	69.45
16660	2.60	12/16	8	N12	69.45
16661	PM 3.00	12/16	8	N12	69.45
16662	3.00	22	11	F8	99.05
16663	3.50	22	11	F8	99.05
16664	4.00	22	11	F8	99.05
16665	5.00	25	13	F8	125.60
16666	6.00	30	16	V10 / F10	140.45

## Roll Screw-plate not adjustable

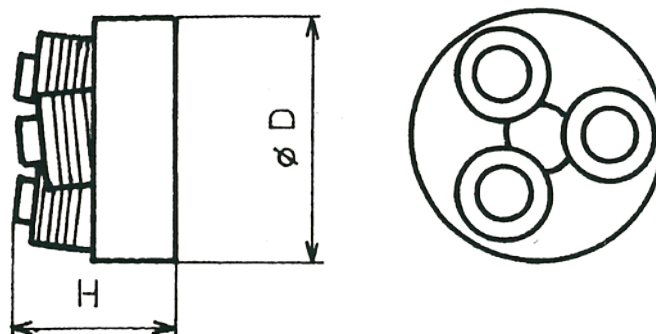
HSS 5h3 steel roll Screw-plate for the rolling of screws and shafts.

External diameter is established by the turning diameter.

Screw-plates are available per 10 µ.

Example: diameter 0.80, 0.79, 0.78, 0.77

For diameters different from the ones in the table, please specify it in your order.



Conditions of sale: Discount: 3 % per order of 20 to 49 identical pieces.  
5 % per order of 50 to 99 identical pieces.  
8 % per order of 100 or more identical pieces.



# Schurch Asco SA



*Partenaire et Savoir-faire*

AV. DU 1ER MARS 33, CP 3052  
CH-2001 NEUCHÂTEL  
SWITZERLAND

PHONE : +41 32 724 3434

FAX : +41 32 724 3436

EMAIL : [INFO@SCHURCH-ASCO.COM](mailto:INFO@SCHURCH-ASCO.COM)

WEB : [WWW.SCHURCH-ASCO.COM](http://WWW.SCHURCH-ASCO.COM)

## Roll adjustable Screw-plate

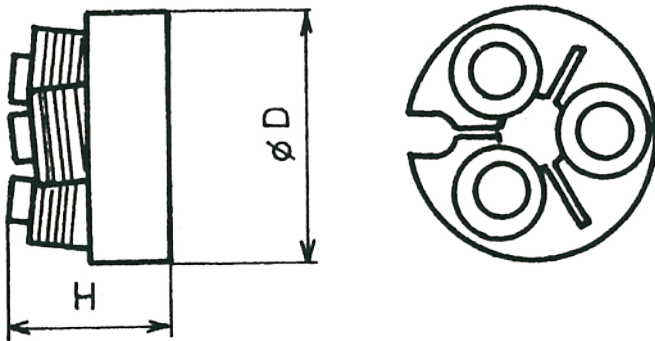
HSS 5h3 steel roll Screw-plate economical and recommended for small series.

External diameter is established by the turning diameter.

Screw-plates are available per 10  $\mu$ .

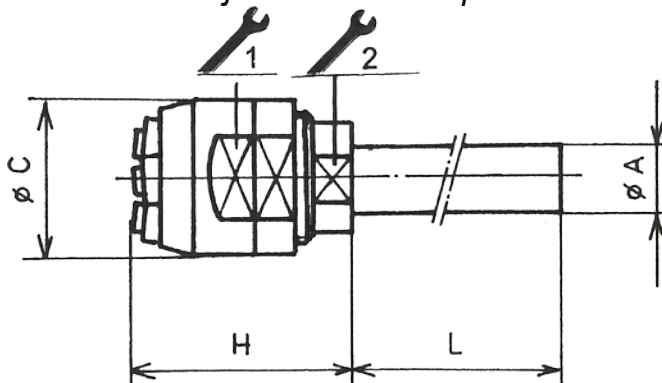
Example : diameter 0.80, 0.79, 0.78, 0.77

For diameters different from the ones in the table, please specify it in your order.



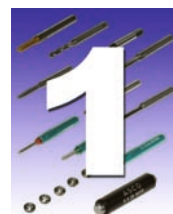
Ref.	Ø nominal	D	H	TYPE	PRICE
16600	0.60	8.00	3.00	R8	51.20
16601	0.70	8.00	3.00	R8	51.20
16602	0.80	8.00	5.00	R8	46.90
16603	0.90	8.00	5.00	R8	46.90
16604	1.00	10.00	5.00	R10	46.90
16605	1.10	10.00	5.00	R10	46.90
16606	1.20	10.00	5.00	R10	46.90
16607	1.30	10.00	6.00	R10	58.50
16608	1.40	10.00	6.00	R10	58.50
16609	1.50	10.00	6.00	R10	58.50
16610	1.60	14.00	6.00	R14	71.00
16611	1.70	14.00	6.00	R14	71.00
16612	1.80	14.00	6.00	R14	71.00
16613	2.00	14.00	6.00	R14	71.00
16614	2.20	16.00	8.00	R16	85.40
16615	2.50	16.00	8.00	R16	85.40
16616	2.60	16.00	8.00	R16	85.40
16617	PM 3.00	16.00	8.00	R16	85.40
16618	3.00	25.00	11.00	R25	121.00
16619	3.50	25.00	12.00	R25	121.00
16620	4.00	25.00	12.00	R25	121.00
16621	4.50	25.00	12.00	R25	151.00
16622	5.00	27.00	13.00	R27	151.00
16623	6.00	32.00	16.00	R32	169.20
16624	8.00	35.00	20.00	R35	313.55

## Adjustable Die-holder for adjustable Screw-plate



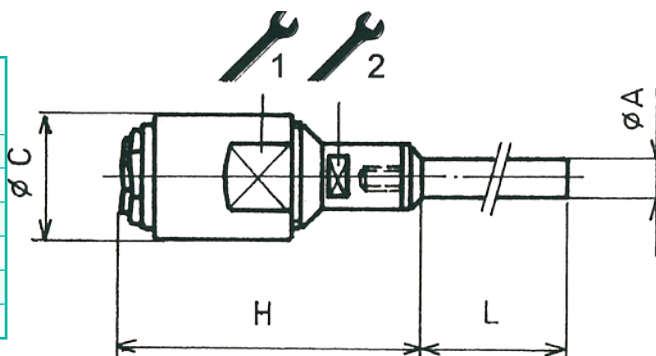
Ref.	L	H <sub>max</sub>	C	1	2	TYPE	PRICE
16625	55	21	13.0	11	5.5	R8	93.95
16626	55	22	15.0	13	9	R10	93.95
16627	55	22	16.5	15	9	R12	93.95
16628	55	22	19.0	17	9	R14	93.95
16629	55	24	22.0	19	13	R16	93.95
16630	55	28	26.0	22	15	R18	93.95
16631	55	32	32.0	8025	17	R25	153.60
16632	55	33	35.0	8027	19	R27	153.60
16633	55	37	40.0	8032	22	R32	153.60
16634	55	42	45.0	8035	27	R35	184.80

Conditions of sale: Discount: 3 % per order of 20 to 49 identical pieces.  
5 % per order of 50 to 99 identical pieces.  
8 % per order of 100 or more identical pieces..



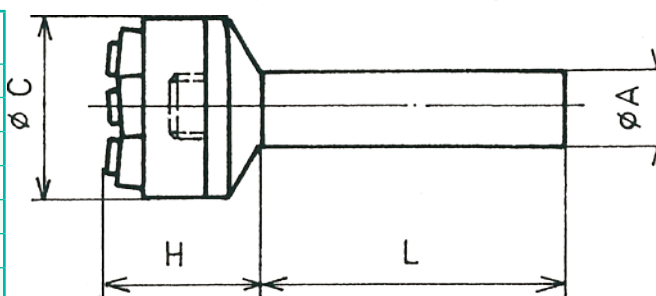
### Non adjustable Die-holder for non adjustable Screw-plate

Ref.	L	H <sub>max</sub>	C	1	2	TYPE	Ø <sub>A</sub>	PRICE
16667	53	24	12	9	5.5	N6-3		79.75
16668	53	24	12	9	5.5	N6-5		79.75
16669	53	27	12	9	5.5	N8-3		79.75
16670	53	27	12	9	5.5	N8-5		79.75
16671	46	33	14	12	7.5	N12-3		93.95
16672	46	33	14	12	7.5	N12-5		93.95



### Non adjustable Die-holder for non adjustable Screw-plate

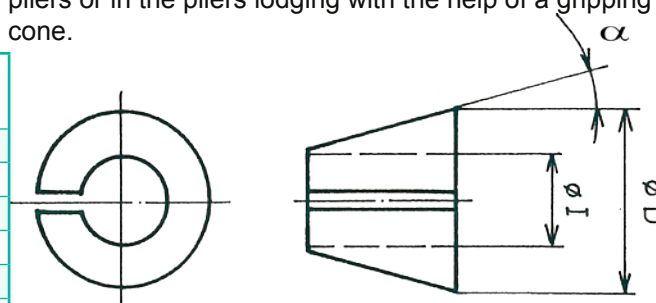
Ref.	L	H <sub>max</sub>	C	TYPE	Ø <sub>A</sub>	PRICE
16673	30	37	14	F8-5		54.10
16674	15	18	14	F8-6		54.10
16675	30	18	14	F8-7		54.10
16676	50	18	14	F8-8		54.10
16677	60	39	29	V10-8		82.60
16678	70	39	29	V10-10		82.60
16679	30	25	29	V10-14		82.60



### Cones for Die-holder

The assembling on the machine is made with gripping pliers or in the pliers lodging with the help of a gripping cone.

Ref.	D	I	α°	TYPE	Ø <sub>A</sub>	PRICE
16680	10.7	7	15	CPF7		45.80
16681	12.0	7	16	CPF7-12		45.80
16682	12.0	8	16	CPF8		45.80
16683	15.5	10	20	CPF10		45.80
16684	18.0	12	16	CPF12		45.80
16685	18.0	14	16	CPF14		98.70
16686	22.0	16	16	CPF16		98.70



Conditions of sale: Discount: 3 % per order of 20 to 49 identical pieces.  
5 % per order of 50 to 99 identical pieces.  
8 % per order of 100 or more identical pieces.





# Schurch Asco SA



*Partenaire et Savoir-faire*

AV. DU 1ER MARS 33, CP 3052  
CH-2001 NEUCHÂTEL  
SWITZERLAND

PHONE : +41 32 724 3434

FAX : +41 32 724 3436

EMAIL : [INFO@SCHURCH-ASCO.COM](mailto:INFO@SCHURCH-ASCO.COM)

WEB : [WWW.SCHURCH-ASCO.COM](http://WWW.SCHURCH-ASCO.COM)



## Screw-plate ASCO

*for horology and equipment*

*Tool steel*

For the repairing of damaged screws.

Ref.	Ø nominal	PITCH	Ø external	Ø external shaft		PRICE
				MINI	MAXI	
16003	S 0.40	0.100	8.00	0.382	0.400	33.00
16005	S 0.50	0.125	8.00	0.480	0.500	33.00
16019	S 1.30	0.300	8.00	1.265	1.300	33.00
16021	S 1.50	0.300	8.00	1.460	1.500	33.00
16022	M 1.60	0.350	8.00	1.496	1.581	33.00
16023	M 1.70	0.350	8.00	1.596	1.681	33.00
16024	M 1.80	0.350	8.00	1.696	1.781	33.00
16025	M 2.00	0.400	8.00	1.886	1.981	33.00



## Screw-plate ASCO HSS

DIN 13/50°/1.8

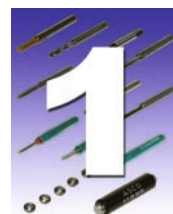
These screw-plates are presplit and the closed execution enable an always accurate repetition.

Ref.	Ø nominal	PITCH	Ø external	THICKNESS	TOLERANCE	PRICE
17535	M 1.00 6h	0.25	16	5	6h	62.40
17536	M 1.10 6h	0.25	16	5	6h	59.30
17537	M 1.20 6h	0.25	16	5	6h	59.30
17538	M 1.40 6h	0.30	16	5	6h	59.30
17539	M 1.60 6g	0.35	16	5	6g	56.70
17540	M 1.70 6g	0.35	16	5	6g	56.70
17541	M 1.80 6g	0.35	16	5	6g	56.20
17542	M 2.00 6g	0.40	16	5	6g	39.20
17543	M 2.20 6g	0.45	16	5	6g	39.20
17544	M 2.30 6g	0.40	16	5	6g	39.20
17545	M 2.50 6g	0.45	16	5	6g	39.20
17546	M 2.60 6g	0.45	16	5	6g	45.80
17547	M 3.00 6g	0.50	20	5	6g	33.00
17548	M 3.50 6g	0.60	20	5	6g	45.80
17549	M 4.00 6g	0.70	20	7	6g	33.00
17550	M 5.00 6g	0.80	20	7	6g	33.00
17551	M 6.00 6g	1.00	20	7	6g	38.50

Conditions of sale: Net prices.

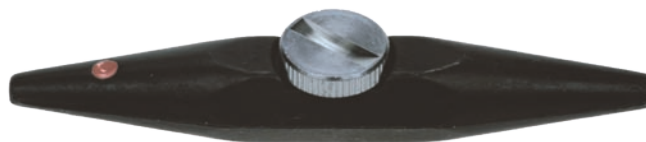
30 Screw-plates and Taps

May 2023



## Gauge support N° 1

These supports are not compatible with the plug-gauges above.



Ref.	Ø	PRICE
00562	1.00 → 2.00	19.30

## Threaded Ring-Gauge ASCO HSS

go / no go (according to NIHS) 5h / 4g  
with engraved coated support

Dimension: S 0.30 to S 1.80

Special tolerance on demand

One gauge set per article, mini and maxi.



Ref.	Ø nominal	TOLERANCE	PITCH	Ø shaft	PRICE
02300	S 0.30	NIHS 5h	0.080	4.50	237.00
02301	S 0.35	NIHS 5h	0.090	4.50	237.00
02302	S 0.40	NIHS 5h	0.100	4.50	237.00
02303	S 0.50	NIHS 5h	0.125	4.50	237.00
02304	S 0.60	NIHS 5h	0.150	4.50	237.00
02305	S 0.70	NIHS 5h	0.175	4.50	237.00
02306	S 0.80	NIHS 5h	0.200	4.50	237.00
02307	S 0.90	NIHS 5h	0.225	4.50	237.00
02308	S 1.00	NIHS 5h	0.250	4.50	237.00
02309	S 1.10	NIHS 5h	0.250	4.50	237.00
02310	S 1.20	NIHS 5h	0.250	4.50	237.00
02311	S 1.30	NIHS 5h	0.300	4.50	237.00
02312	S 1.40	NIHS 5h	0.300	4.50	237.00
02313	S 1.50	NIHS 5h	0.300	4.50	237.00
02314	M 1.60	NIHS 6g	0.350	4.50	270.00
02315	M 1.70	NIHS 6g	0.350	4.50	270.00
02316	M 1.80	NIHS 6g	0.350	4.50	270.00

Conditions of sale: Net prices

April 2022

Screw-plates and Taps 31